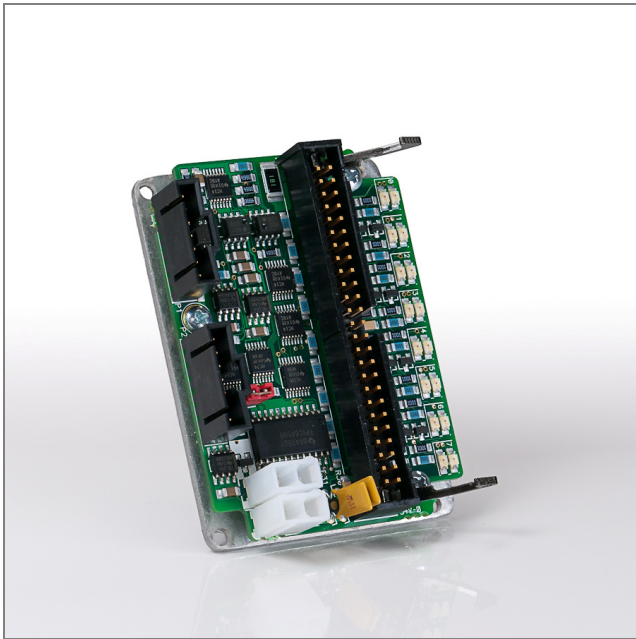


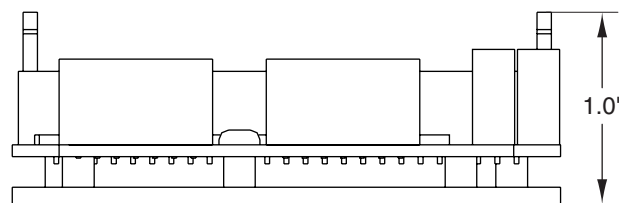
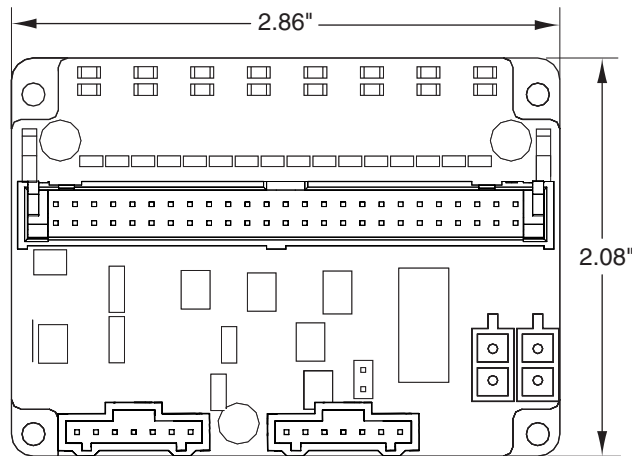
IEX-808

High Density I/O Expansion



FEATURES

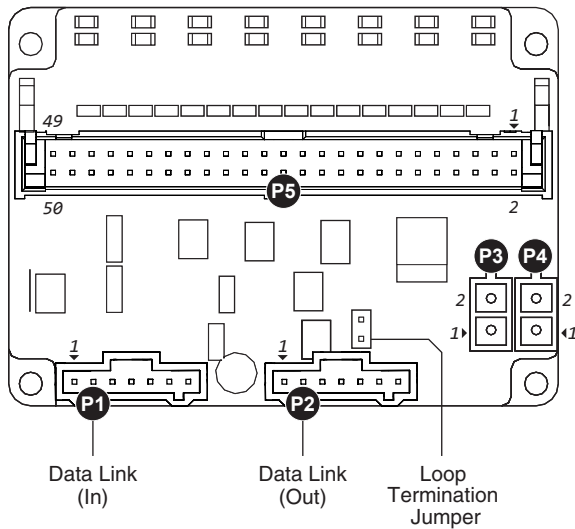
- High density I/O module provides 8 inputs and 8 outputs
- Digital filtering on all inputs minimizes the effect of electrical noise.
- High power (6W) outputs
- Over-current and thermally-protected outputs.
- Integrated active clamp on each output reduces inductive load turn-off time (speeds the response of solenoid valves, contactors, brakes, etc.)
- Galvanic isolation between data link and I/O virtually eliminates noise problems.
- LED indicators on all inputs and outputs.
- Daisy-chained 24V power connectors ease power distribution.
- Mating “crimp and push” I/O connector allows easy, low-cost harness interface for OEM designs.
- EN 50081-2, EN 50082-2 Compliant.



SPECIFICATIONS

GENERAL	Dimensions, in (mm):	2.86 (73) x 2.08 (53) x 1.00 (25)
	Weight, oz (g):	1.8 (51)
ENVIRONMENTAL	Temperature:	0-40 Degrees C
	Humidity	0-95%, non-condensing
GENERAL PURPOSE INPUTS	Type:	ESD protected CMOS with pull-up to 5V through diode (can be connected to 24V sensor outputs directly)
	# of GPI per IEX-808:	8
	# Pins per point:	3 (In,+24V, GND)
	Min input voltage for high reading:	3.2V
	Max input voltage for low reading:	0.8V
	Input hysteresis:	1V typical
	Digital filtering:	0.5mS
	Indicators:	Green LED, one per input
GENERAL PURPOSE OUTPUTS	Features:	Digital filtering; ESD protection
	Type:	Sinking DMOS outputs, short circuit and in-rush current protected with active 50V clamp
	# of GPO per IEX-808:	8
	# Pins per point:	3 (Out, +24V, Shield)
	Maximum current:	0.25A each output, even with all outputs on
	Indicators:	Red LED, one per output
	Features:	Active voltage clamping eliminates in-line diodes; short-circuit protected; in-rush protected
	POWER REQUIREMENTS	Maximum voltage:
Minimum voltage		20 VDC
Supply current:		90mA maximum
COMPLIANCE	EMI:	EN 50081-2, EN 50082-2
COUNTRY OF ORIGIN	Manufactured in:	USA

CONNECTOR DETAIL



P3,P4-24VDC (in/out)	
PIN#	DESCRIPTION
1	24VDC (+)
2	24VDC RETURN

P5-I/O Connector			
PIN#	DESCRIPTION	PIN#	DESCRIPTION
1	NO CONNECT	2	NO CONNECT
3	OUT-7	4	GND
5	+24V-B	6	+24V-B
7	SHIELD	8	IN-7
9	OUT-6	10	GND
11	+24V-B	12	+24V-B
13	SHIELD	14	IN-6
15	OUT-5	16	GND
17	+24V-B	18	+24V-B
19	SHIELD	20	IN-5
21	OUT-4	22	GND
23	+24V-B	24	+24V-B
25	SHIELD	26	IN-4
27	OUT-3	28	GND
29	+24V-A	30	+24V-A
31	SHIELD	32	IN-3
33	OUT-2	34	GND
35	+24V-A	36	+24V-A
37	SHIELD	38	IN-2
39	OUT-1	40	GND
41	+24V-A	42	+24V-A
43	SHIELD	44	IN-1
45	OUT-0	46	GND
47	+24V-A	48	+24V-A
49	SHIELD	50	IN-0