

6

5

4

3

2

1

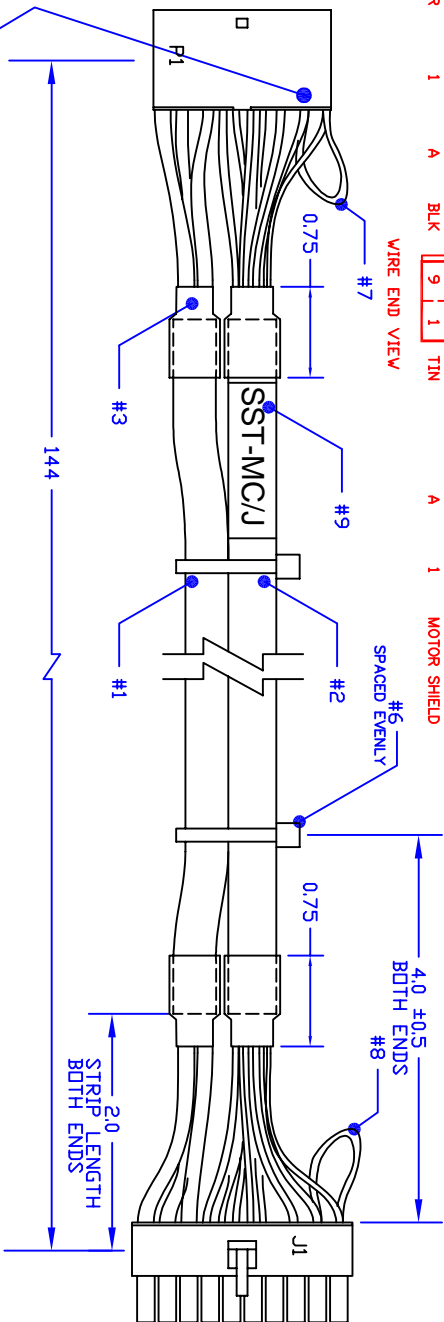
| REV | DESCRIPTION/ECD NO. | DATE |
|-----|---|----------|
| F | MAKE CABLES SAME LENGTH | 02/14/00 |
| G | ADD GREEN SLEEVING | 03/29/00 |
| H | DN SHIELD CONDUCTOR | 05/22/02 |
| I | DA LENGTH WAS 144" | 08/15/03 |
| J | DA LENGTH INCREASE TD 144" CHANGED CABLE TIES TD 4 | 03/15/04 |

P1 ASSIGNMENTS

| SIGNAL | CABLE | TERMINAL | COLOR | TERMINAL | CABLE | SIGNAL |
|--------|-------|----------|-------|----------|-------|---------------|
| GNL | | B | BLU | B | 2 | Therm |
| ENG A | 2 | B | DRN | A | 2 | GNL |
| ENG B | 2 | B | YEL | B | 2 | SIGNAL SHIELD |
| ENG I | 2 | B | VID | B | 2 | COMM-T |
| +5 | 2 | B | GRY | B | 2 | COMM-S |
| T | 1 | A | WHT | B | 2 | COMM-R |
| S | 1 | A | RED | B | 2 | +5 |
| R | 1 | A | BLK | A | 1 | MOTOR SHIELD |

| WIRE END VIEW | COLOR | TERMINAL |
|---------------|----------------|----------|
| 16 | BLU | B |
| 8 | BLK+JMPR (25') | A |
| 15 | TIN | B |
| 7 | TIN | B |
| 14 | BRN | B |
| 6 | GRN | B |
| 13 | GRN | B |
| 5 | GRN | B |
| 12 | WHT | B |
| 4 | WHT | B |
| 11 | WHT | B |
| 3 | WHT | B |
| 10 | RED | B |
| 2 | RED | B |
| 9 | TIN | B |

SLEEVE ON SHIELD DRAIN WIRES, 4 PLACES
CAPTURE SLEEVES IN CRIMP TERMINALS
10 CABLE TIES EVENLY SPACED
LABEL AS SHOWN WITH P/N AND REV



NOTES:
1) COMPLETED CABLES TO BE INDIVIDUALLY BAGGED AND LABELED WITH TEKNIC PART NUMBER AS FOLLOWS:
SST-MC REV ICURRENT REVJ

BILL OF MATERIALS

| | | | |
|------|-----|---|-------------------------|
| 9 | 1 | CABLE MARKING, WRAP-TYPE, 1" X 3/8" WHITE | BRADY/DAT-85-292-X |
| 8 | 20' | WIRE, 24AVG STRANDED | PANDUIT/PLU-249-1 |
| 7 | 25' | WIRE, 24AVG STRANDED | BELDEN/9923-10 |
| 6 | 4 | CABLE TIE, BLK, 4" | RICHCO/WIT-18R-B |
| 5 | 2 | SLEEVING, GREEN | RAYCHEM/RNF-100-3/32-GN |
| 4 | 2 | FOR 18AVG DRAIN WIRE, 25' | ALPHA/PVC-105-22-CLEAR |
| 3 | 4 | HEATSHRINK, 3/8" x 3/4" | RAYCHEM/VERSAFIT-3/8-0 |
| 2 | | CABLE, 10 COND, 24AVG, PVC/DATALENE FOIL SHLD | ALPHA/FIT-221-3/8 |
| 1 | | CABLE, 3 COND, 18AVG, PVC/PVC, FOIL SHIELD | BELDEN/9935 |
| P1 | 1 | HOUSING, MINIFIT 16, PLUG | BELDEN/8770 DR |
| P1-B | 11 | TERMINAL, PIN, MINIFIT | CARDL/CE535 |
| P1-A | 5 | TERMINAL, PIN, MINIFIT | MDL EX/39-00-0048 DR |
| P1 | 1 | HOUSING, MINIFIT 20, RECP | MDL EX/39-00-0049 |
| P1-B | 13 | TERMINAL, SOCKET, MINIFIT | MDL EX/39-00-0040 DR |
| P1-A | 4 | TERMINAL, SOCKET, MINIFIT | MDL EX/39-01-3163 |
| J1 | 1 | HOUSING, MINIFIT 20, RECP | MDL EX/39-00-0046 DR |
| J1-A | 4 | TERMINAL, SOCKET, MINIFIT | MDL EX/39-00-0047 |
| J1 | 1 | HOUSING, MINIFIT 20, RECP | MDL EX/39-00-0038 DR |
| J1-A | 4 | TERMINAL, SOCKET, MINIFIT | MDL EX/39-00-0039 |

PIN 7 ON P1 (TWO)
WIRE CRIMPS MUST BE
ABLE TO WITHSTAND
10 LB. PULL TEST

CABLE TERMINAL COLOR

| | | | |
|-------|---|---|-----|
| R | 1 | A | BLK |
| S | 1 | A | RED |
| T | 1 | A | CLR |
| Therm | 2 | B | BLU |
| +5 | 2 | B | RED |
| ENG I | 2 | B | GRY |
| ENG B | 2 | B | VID |
| ENG A | 2 | B | YEL |

J1 ASSIGNMENTS

| COLOR | TERMINAL | CABLE | SIGNAL |
|-------|----------|------------|--------|
| 11 | 1 | TIN | A |
| 12 | 2 | WHT | B |
| 13 | 3 | GRN | B |
| 14 | 4 | BRN | B |
| 15 | 5 | BLK | B |
| 16 | 6 | TIN | B |
| 17 | 7 | N/C | B |
| 18 | 8 | N/C | B |
| 19 | 9 | N/C | B |
| 20 | 10 | JMPR (25') | B |

WIRE END VIEW

Teknic, Inc.

DESCRIPTION
CABLE, SST MOTOR EXTENSION

TOLERANCES UNLESS OTHERWISE SPECIFIED:
ANGULAR ± 1° LINEAR ± .020

DATE 03-10-99
SCALE NONE
DRAWN BY DRL

MATERIAL see BDM

FINISH NA

FILENAME SST-MC REVJ/DVG

DWGNO. SST-MC

REV. J

6

5

4

3

2

1