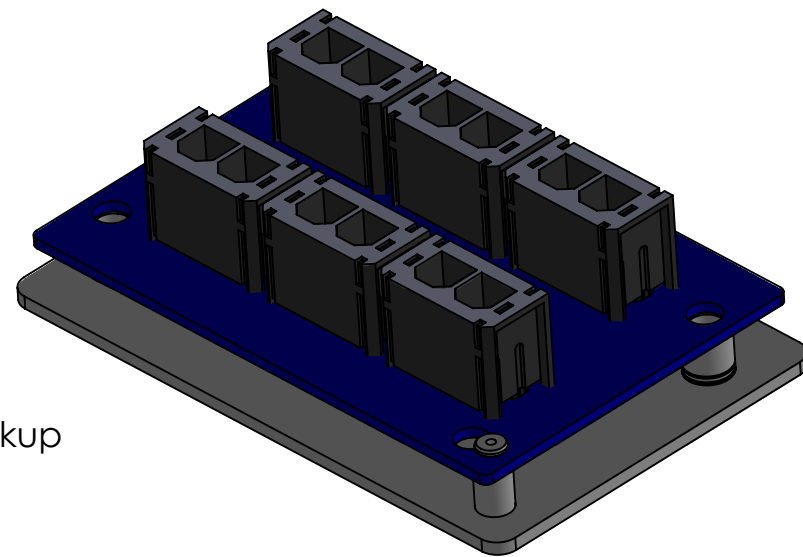


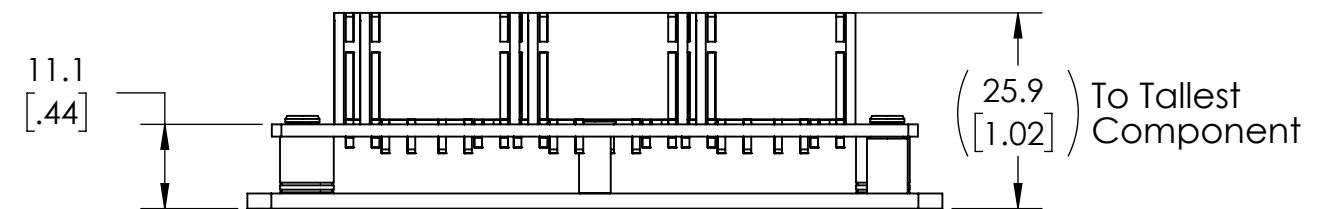
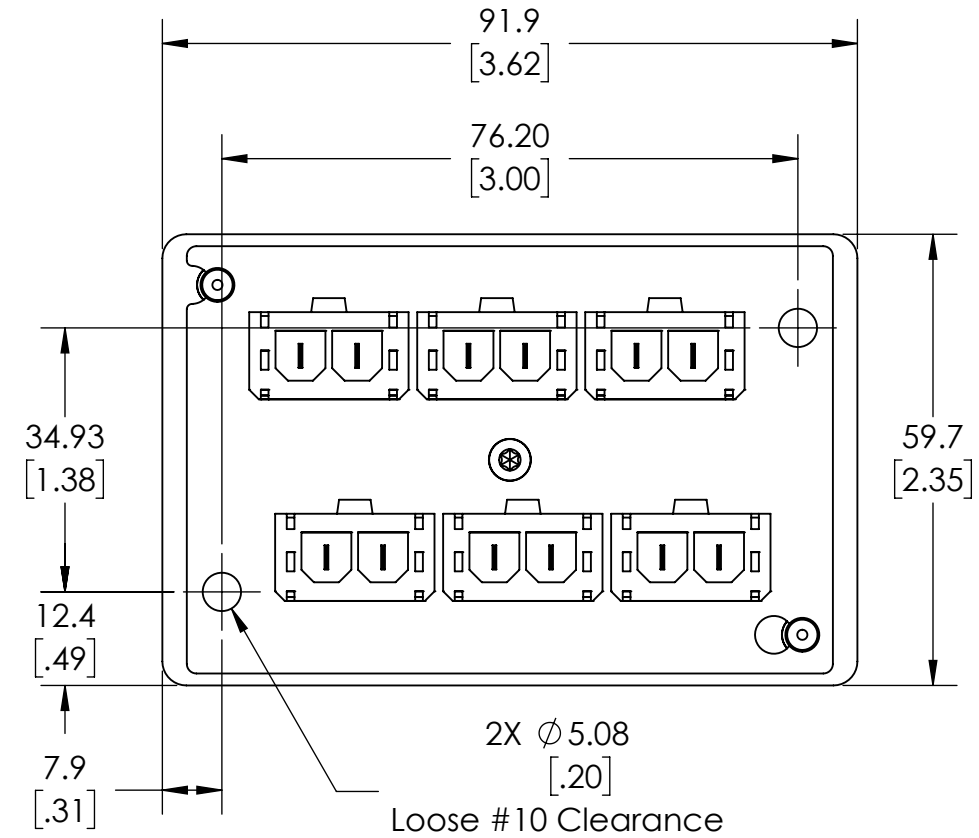
# Power Distribution for: ClearPath<sup>®</sup> - IP53 Motors

## P/N: POWER4-STRIP

All dimensions are in mm [inch] unless otherwise noted.  
Sheet Scale 1:1



POWER4-STRIP  
Without Logic Backup  
Power

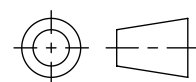


Unless otherwise specified, untoleranced dimensions default to:  
X.X: ± .5mm [0.020]  
X.XX: ± .25mm [0.010]

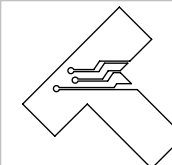
**Teknic, Incorporated**

Victor, NY 14564 USA

This document and related electronic files are the sole property of Teknic, Incorporated and contain proprietary information.



Third-Angle Projection



Additional documentation including product specifications, up-to-date compliance information, and manuals can be downloaded from Teknic's website.

Visit <https://www.teknic.com/> to access that documentation.

DWG. NO./REV  
D1243/A

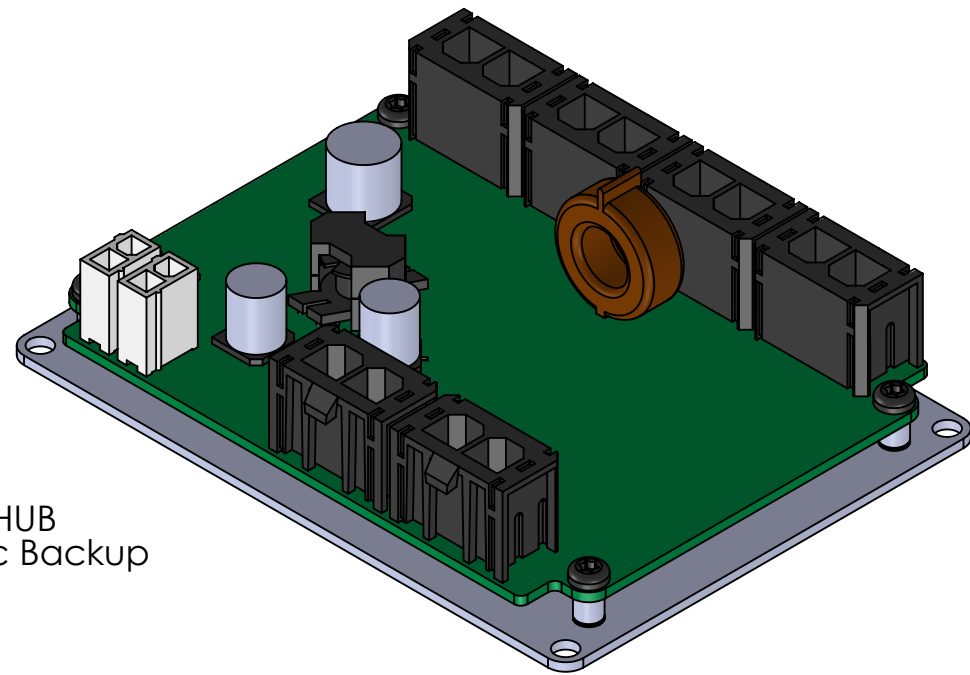
TITLE: Power Distribution for ClearPath IP53

1 of 2 Sheets

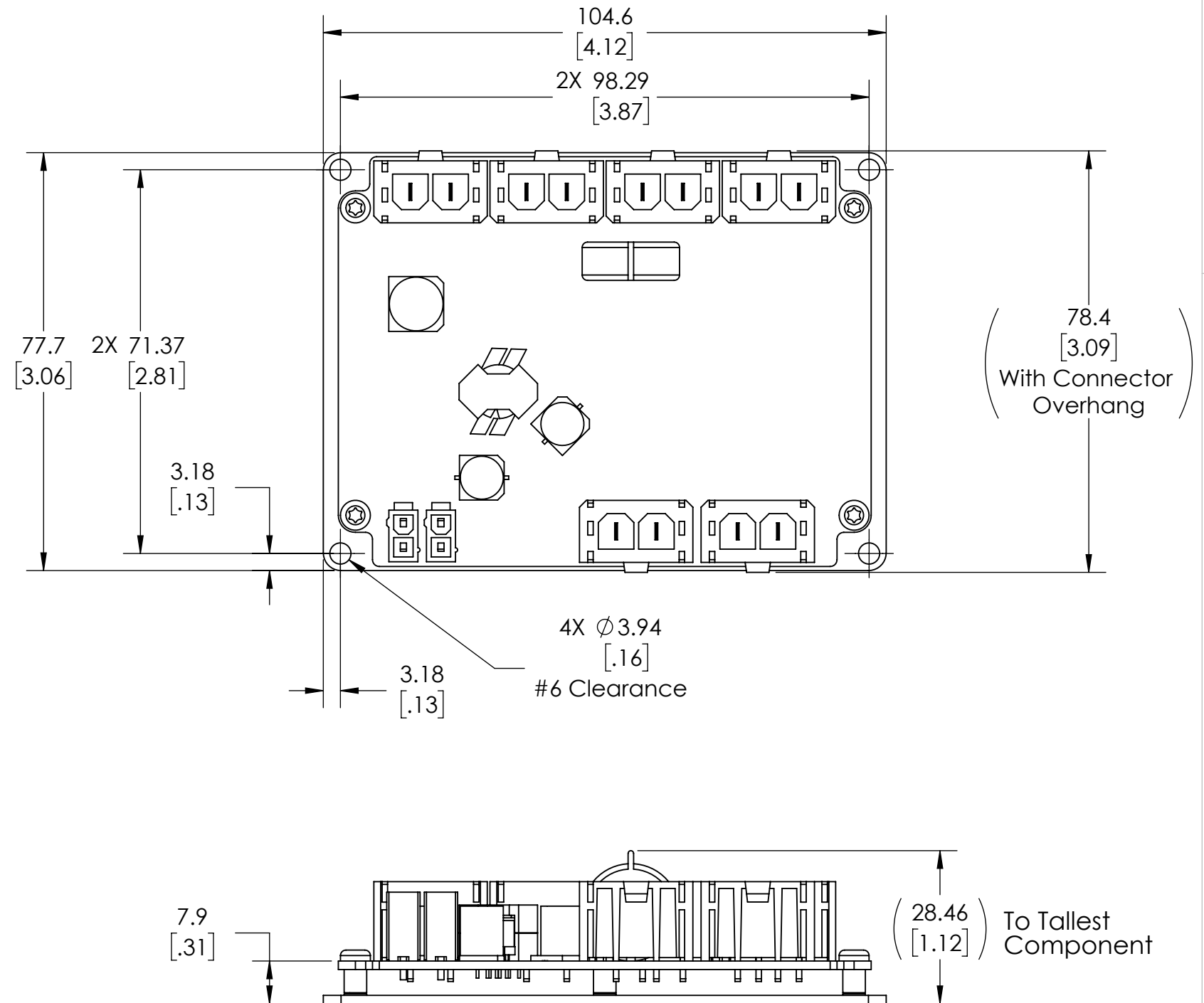
# Power Distribution for: ClearPath<sup>®</sup> - IP53 Motors

## P/N: POWER4-HUB

All dimensions are in mm [inch] unless otherwise noted.  
Sheet Scale 1:1



POWER4-HUB  
With Logic Backup  
Power

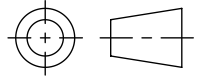


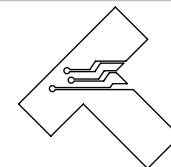
Unless otherwise specified, untoleranced dimensions default to:  
X.X: ± .5mm [0.020]  
X.XX: ± .25mm [0.010]

**Teknic, Incorporated**

Victor, NY 14564 USA

This document and related electronic files are the sole property of Teknic, Incorporated and contain proprietary information.

  
Third-Angle Projection



Additional documentation including product specifications, up-to-date compliance information, and manuals can be downloaded from Teknic's website.  
Visit <https://www.teknic.com/> to access that documentation.

DWG. NO./REV  
D1243/A

TITLE: Power Distribution for ClearPath IP53

2 of 2  
Sheets