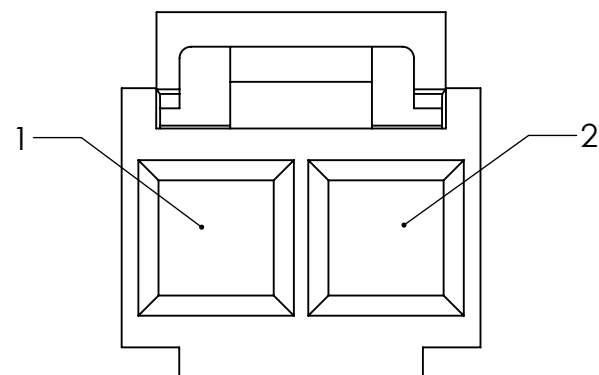
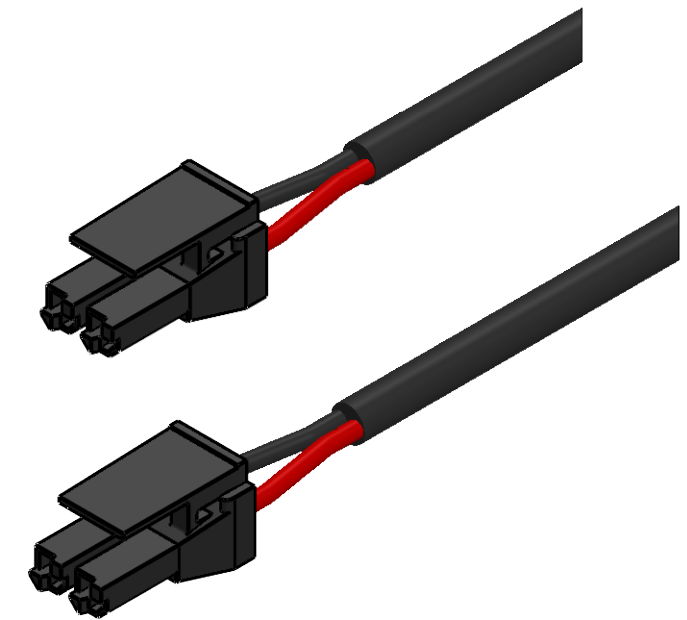


# DC Bus Power Cable

## IPC-3 or IPC-5 to Power4 Products, 6ft [1.8m]

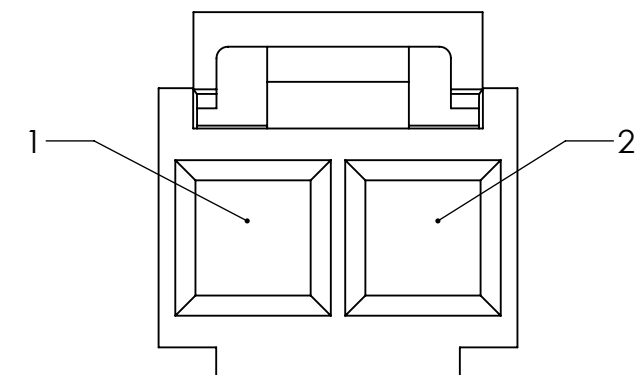
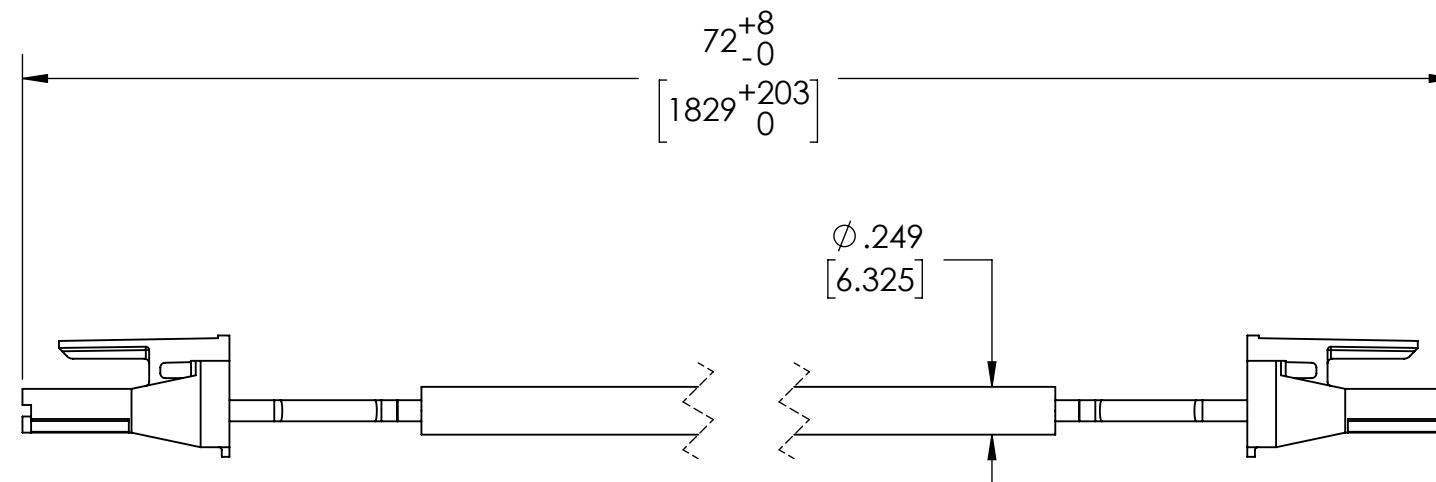
### PN:PC-SBR-72

All dimensions are in inch [mm] unless otherwise noted.  
Sheet Scale 1:1



**P1 Molex Sabre 2 Position**  
**(Receptacle)**

Wire Entry View  
Scale 3:1



**P2 Molex Sabre 2 Position**  
**(Receptacle)**

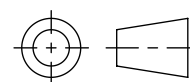
Wire Entry View  
Scale 3:1

Terminal Assignment Table				
P1 Terminal	Wire Size	Color	Signal	P2 Terminal
1	16 AWG	Red	V+	1
2	16 AWG	Black	V-	2

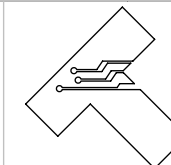
**Teknic, Incorporated**

Victor, NY 14564 USA

This document and related electronic files are the sole property of Teknic, Incorporated and contain proprietary information.



Third-Angle Projection



Additional documentation including product specifications, up-to-date compliance information, and manuals can be downloaded from Teknic's website.

Visit <https://www.teknic.com/> to access that documentation.

DWG. NO./REV  
D1248/A

TITLE: PC-SBR-72

1  
of 1  
Sheets