

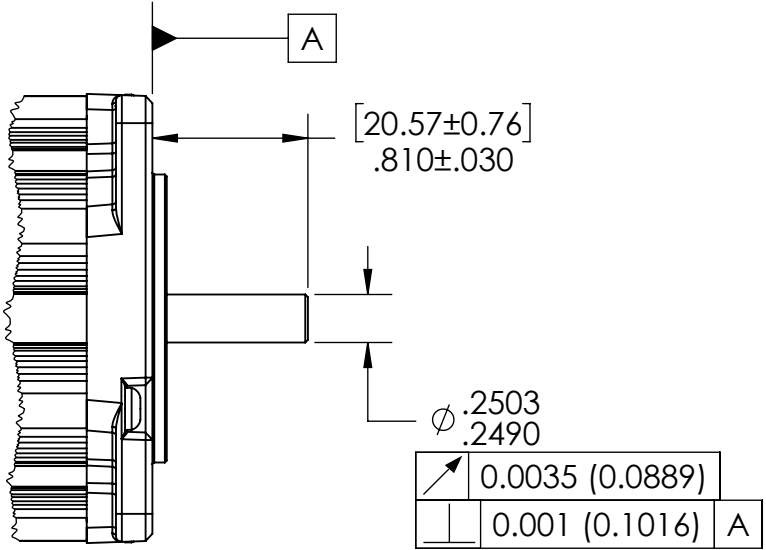
Teknic Hudson Motors

NEMA 23, Sealed Motors

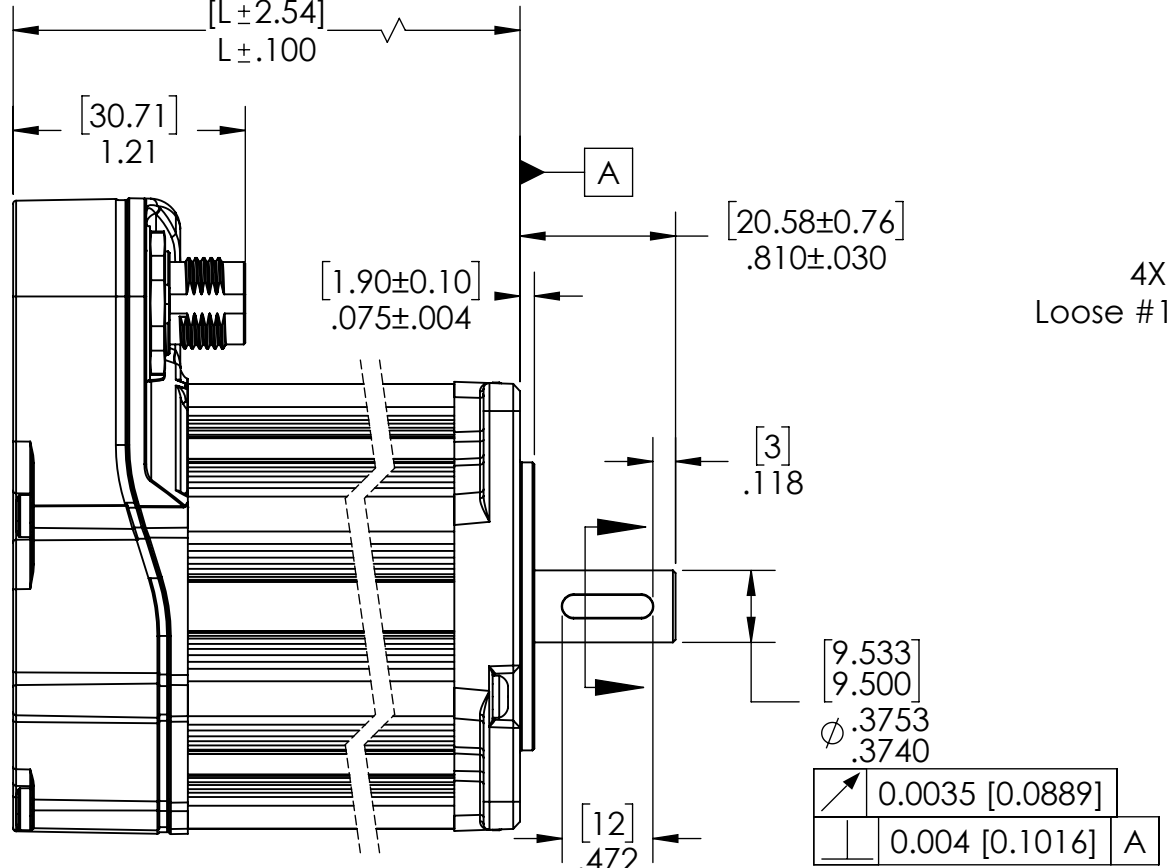
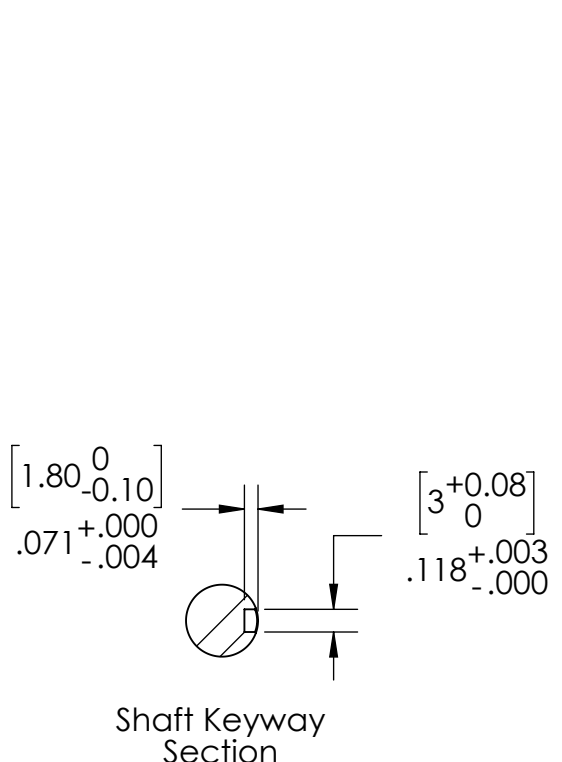
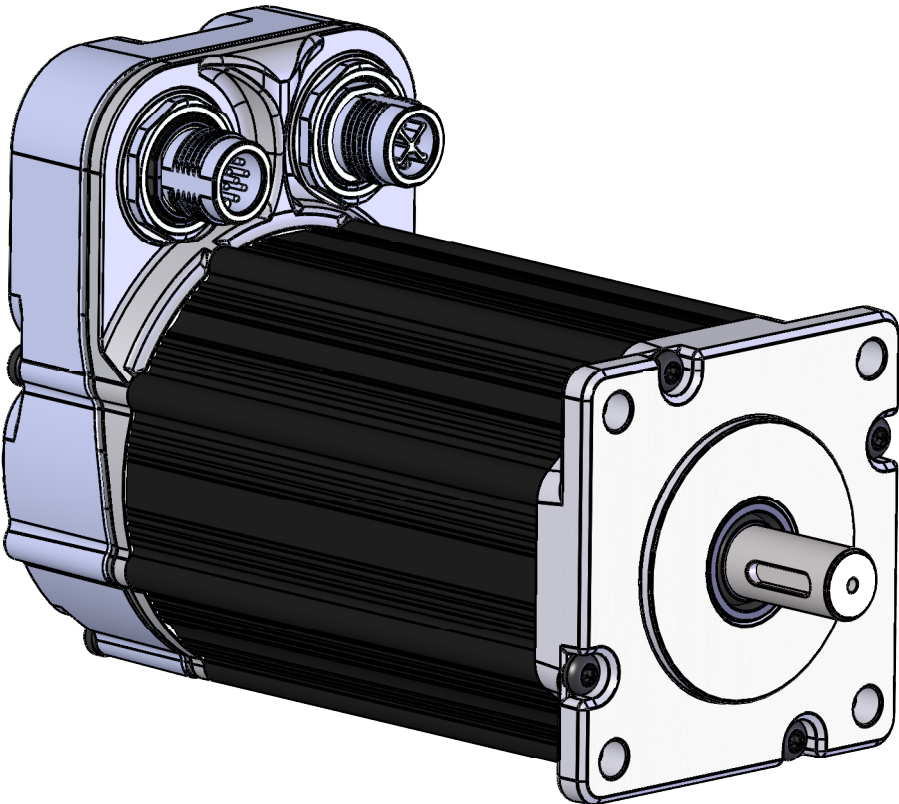
All dimensions are in inch [mm] unless otherwise noted.
Sheet Scale 1:1

Unless otherwise specified, untoleranced dimensions default to:
X.XX: ± 0.010" [.25mm]
X.XXX: ± 0.005" [.125mm]

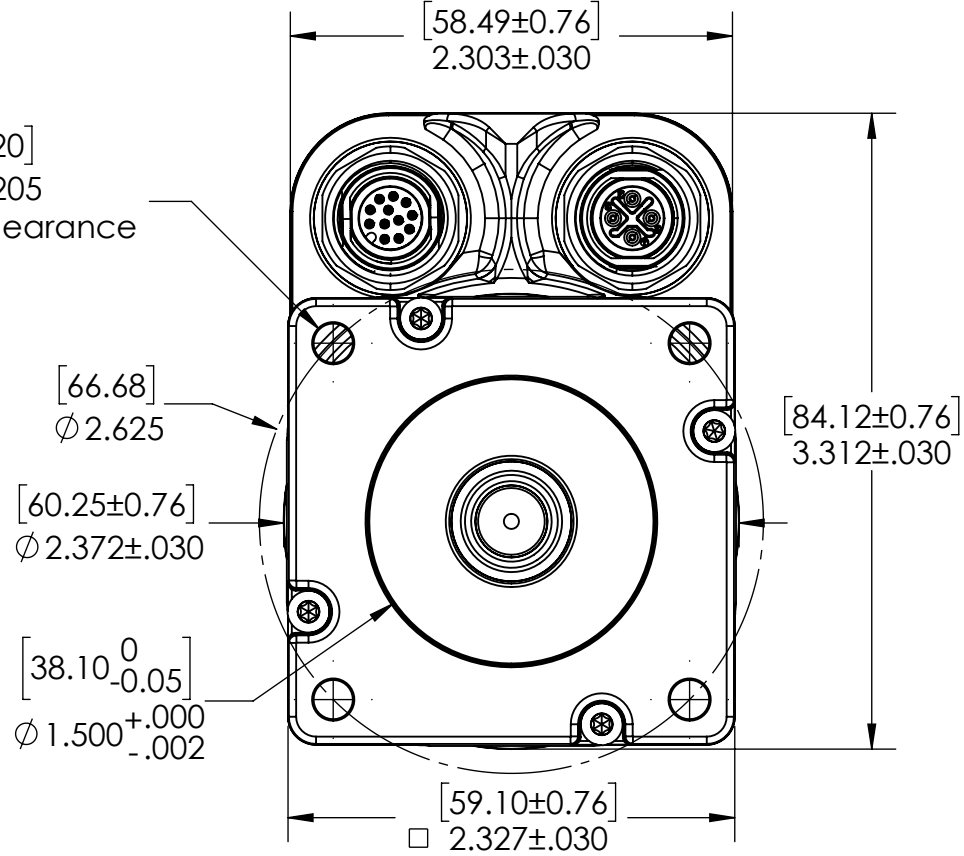
Model Number	L
M-231 _ _ _ _	2.797 [71.04]
M-232 _ _ _ _	3.545 [90.04]
M-233 _ _ _ _	4.293 [109.04]
M-234 _ _ _ _	5.041 [128.04]



Optional 1/4" Full Round Shaft (No keyway)
Available for 231 and 232 Models

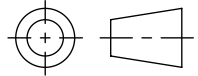


[5.20]
4X φ .205
Loose #10 Clearance

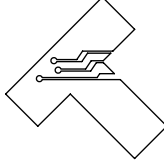


Teknic, Incorporated
Victor, NY 14564 USA

This document and related electronic files are the sole property of Teknic, Incorporated and contain proprietary information.



Third-Angle Projection



Additional documentation including product specifications, up-to-date compliance information, and manuals can be downloaded from Teknic's website.
Visit <https://www.teknic.com/> to access that documentation.

DWG. NO./REV
D1226/A

TITLE: 23xx Hudson Sealed Motors

1 of 1 Sheets