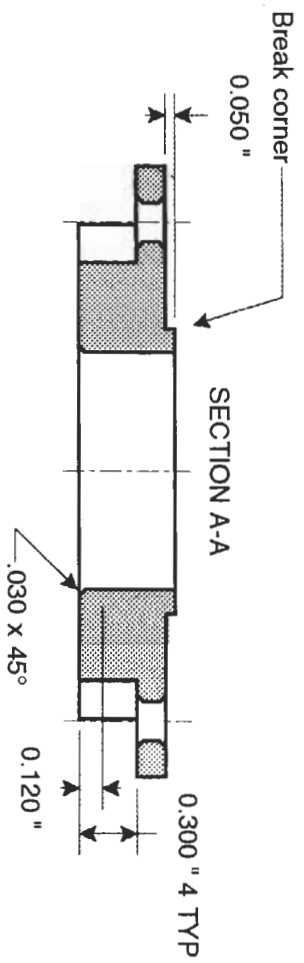
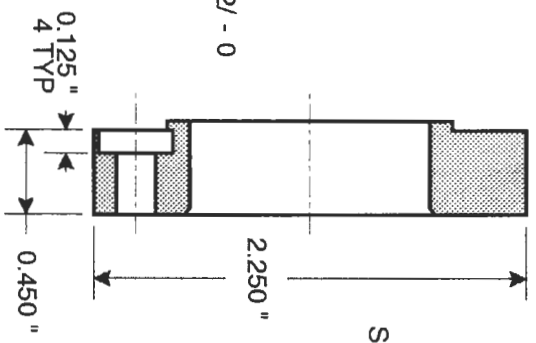
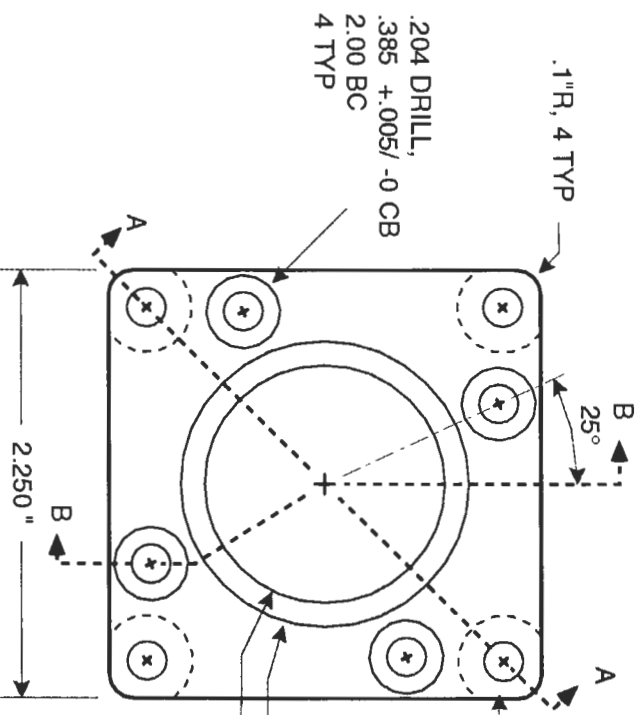


ZONE	REV	DESCRIPTION / ECO NO	DATE
B1	B	chng BC to 2.00" / ECO 212	7/7/94
A3	C	chng hole spec / ECO 221	7/26/94
B2	D	chng pilot hole / ECO 461	8/27/96



**FILE**

This drawing is the property of TEKNIC, INC. Any use or reproduction without authorization is prohibited.

Scale 1" = 1"  
 Eng DRL

Material: Aluminum  
 Finish: bead blast  
 Tolerances unless otherwise specified are:  
 ALL DIMENSIONS ± .010  
 ANGULAR ± 1 deg

Date: 7/26/94  
 File: 1100140D.Flange2012-23

Title: Flange, Motor 2012 to NEMA 23  
 Teknic Inc.  
 214 Andrews St.  
 Rochester, NY 14604  
 Page 1 of 1  
 Dwg No 1100140  
 Rev D