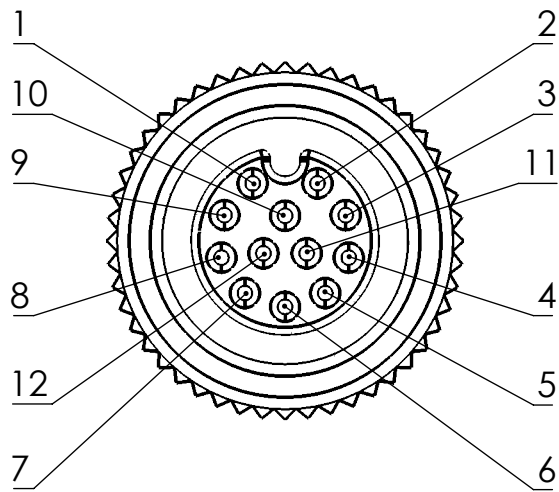
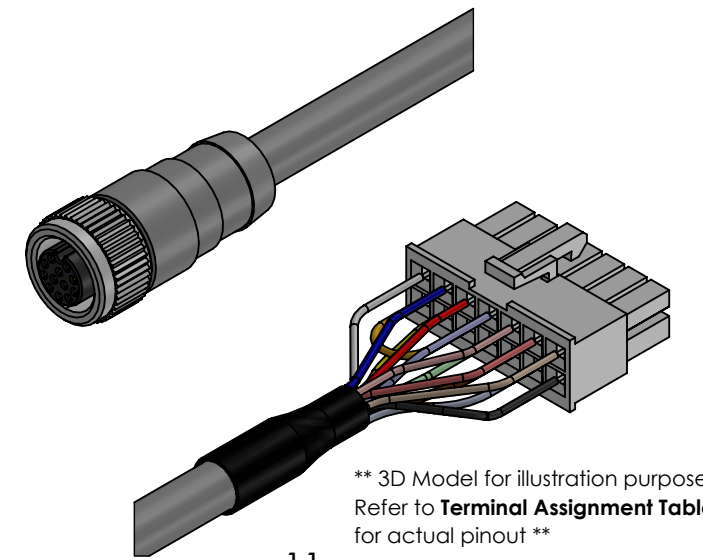


Hudson Motor IP66K/IP67 Encoder Cable

M12 A-coded (Female) to Mini-Fit Jr. 14 (Female), 10ft [3.05m]

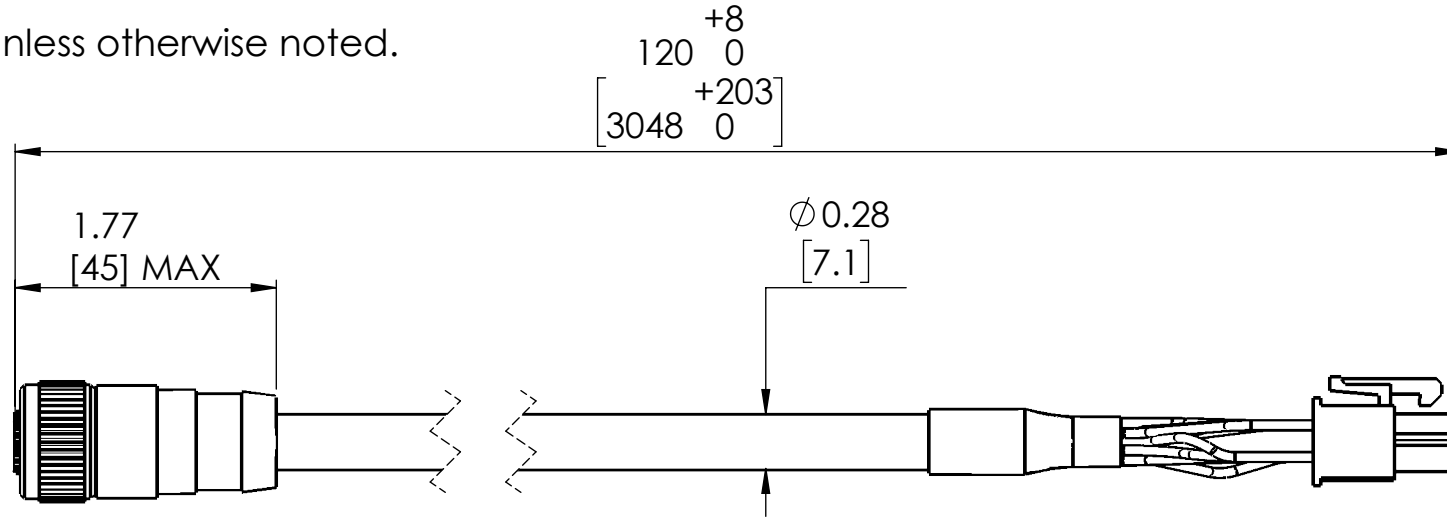
PN: M-CABLE-ENCD-AM120

All dimensions are in inches [mm] unless otherwise noted.
Sheet Scale 1:1



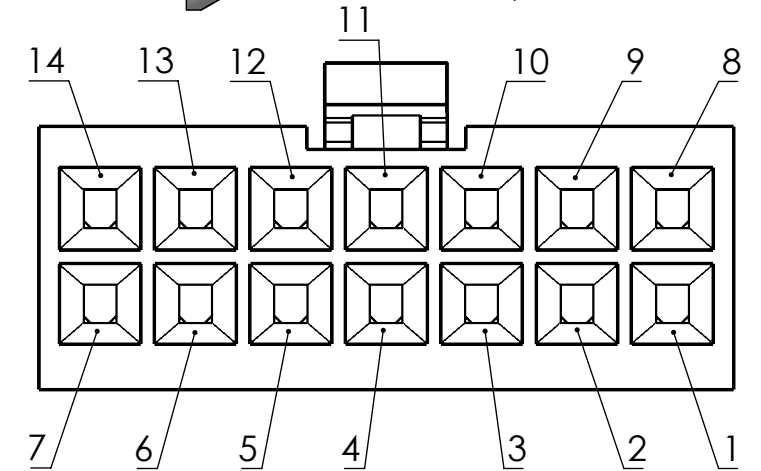
**P1 M12 A-coded
(Female) 12 Position**

Front View
Scale 3:1



Terminal Assignment Table

P1 Terminal	Wire Size	Wire Color	Signal Name	P2 Terminal
1	24 AWG	Pink	ENC I	9
2	24 AWG	Red	+5VDC IN	12
3	24 AWG	Gray	ENC I~	2
4	24 AWG	Brown/Green	ENC B~	3
5	24 AWG	Red/Blue	ENC A	11
6	24 AWG	Gray/Pink	ENC B	10
7	-	N.C.	-	-
8	24 AWG	Green/White	ENC A~	4
9	24 AWG	Violet	COMM R-S	13
10	24 AWG	Black	ENC GND	1
11	24 AWG	Yellow	COMM T-R	6
12	24 AWG	White	COMM S-T	14
-	24 AWG	Orange	Jumper to 7	5
-	24 AWG	Orange	Jumper to 5	7
-	-	Shield	Shield	8
-	24 AWG	Brown	Unused Conductor	-
-	24 AWG	Blue	Unused Conductor	-
-	24 AWG	Green	Unused Conductor	-



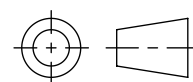
P2 Mini-Fit Jr. 14 (Female)

Wire Entry View
Scale 3:1

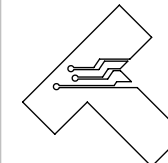
Teknic, Incorporated

Victor, NY 14564 USA

This document and related electronic files are the sole property of Teknic, Incorporated and contain proprietary information.



Third-Angle Projection



Additional documentation including product specifications, up-to-date compliance information, and manuals can be downloaded from Teknic's website.

Visit <https://www.teknic.com/> to access that documentation.

DWG. NO./REV

D1240/A

TITLE: Hudson Motor IP66K/IP67 Cables

4

of 4
Sheets