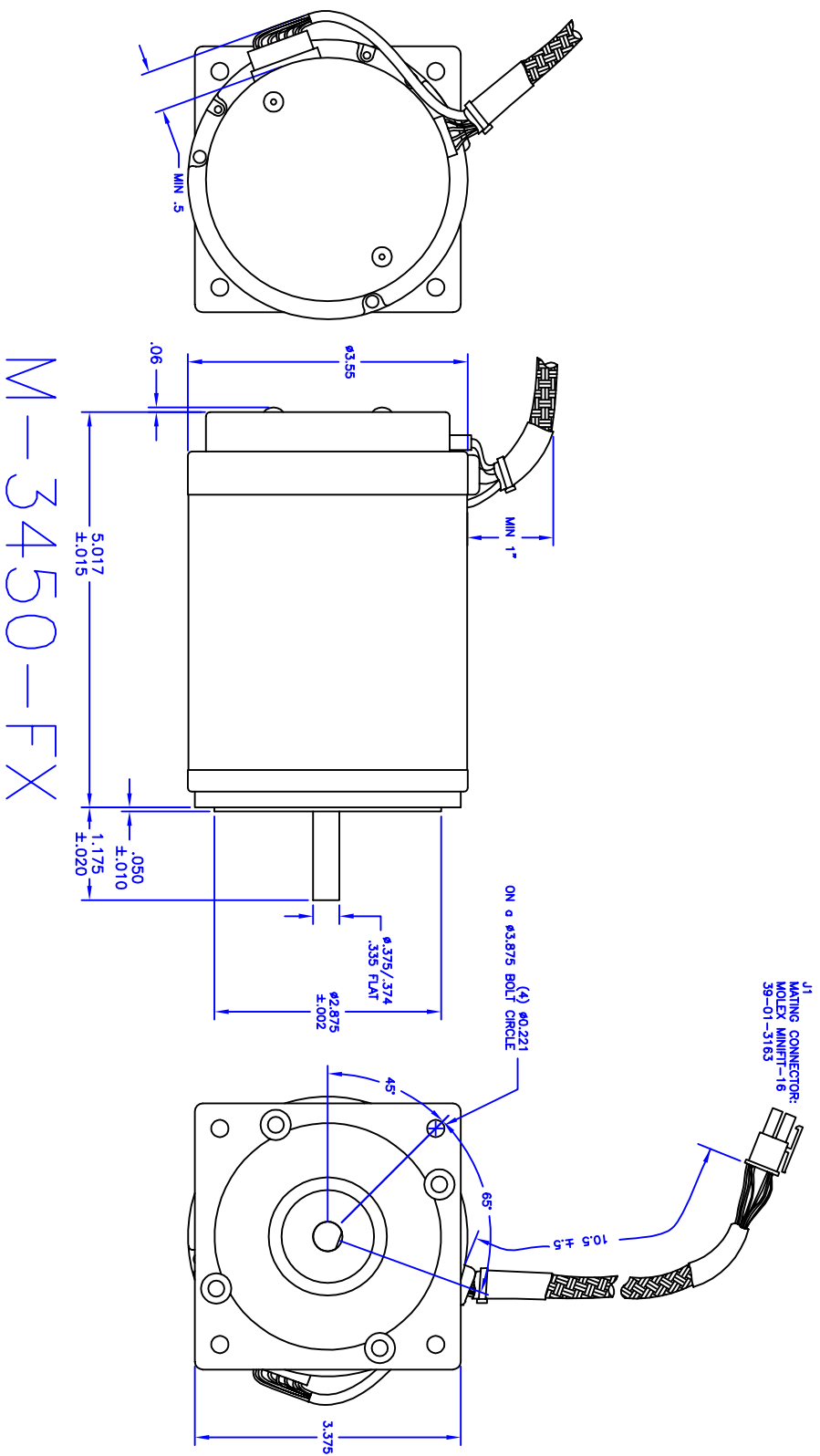


REV.	DESCRIPTION/ECD NO.	DATE
B	ADJUST DA LENGTH	03/02/01



M-3450-FX

J1 Assignments
1 CHASSIS SIGNAL
2 +5V
3 COMM-R
4 COMM-S
5 COMM-T
6 GND
7 GND
8 NC
9 ϕ -R
10 ϕ -S
11 ϕ -T
12 +5V
13 ENC-I
14 ENC-B
15 ENC-A
16 GND

ALL DIMENSIONS IN INCHES	MATERIAL	FINISH	TOLERANCES UNLESS OTHERWISE SPECIFIED ARE:	SCALE	DRAWN BY	DATE	FILENAME	DWGNO.	REV.
1	MATERIAL	N/A	ANGULAR ± 1°	NONE	DRL	12/15/98	M-3450	3450F	B
2			LINEAR ± .020						
3									
4									
5									
6									

BRUSHLESS MOTOR, NEMA 34,
M-3450, 600 OZ-IN, FLANGE

Teknic, Inc.
1150-E PITTSFORD-VICTOR ROAD
PITTSFORD, NY 14534