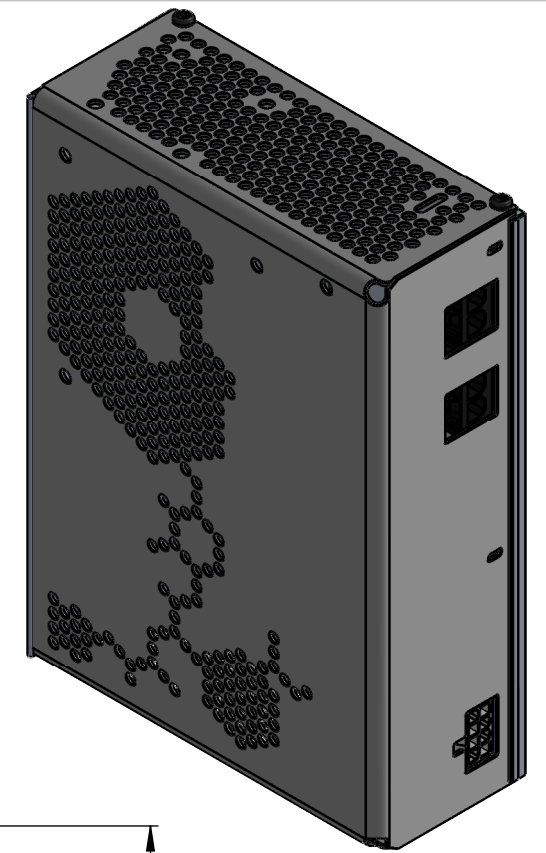
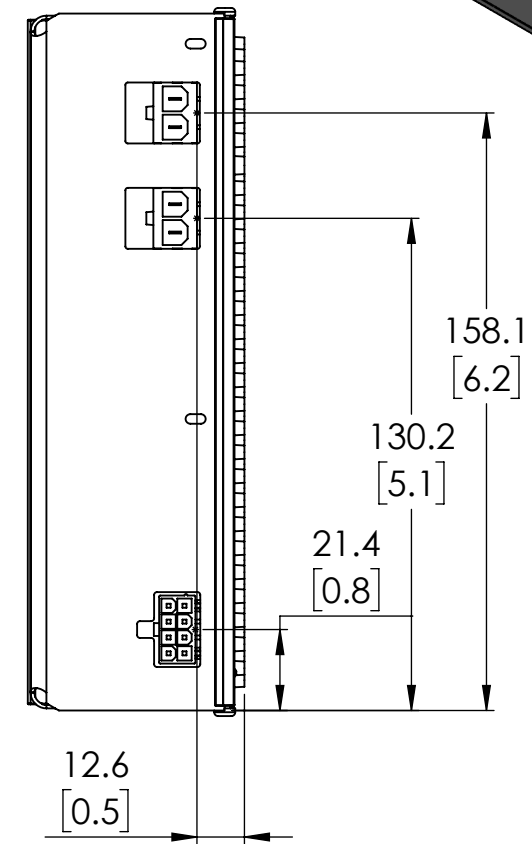
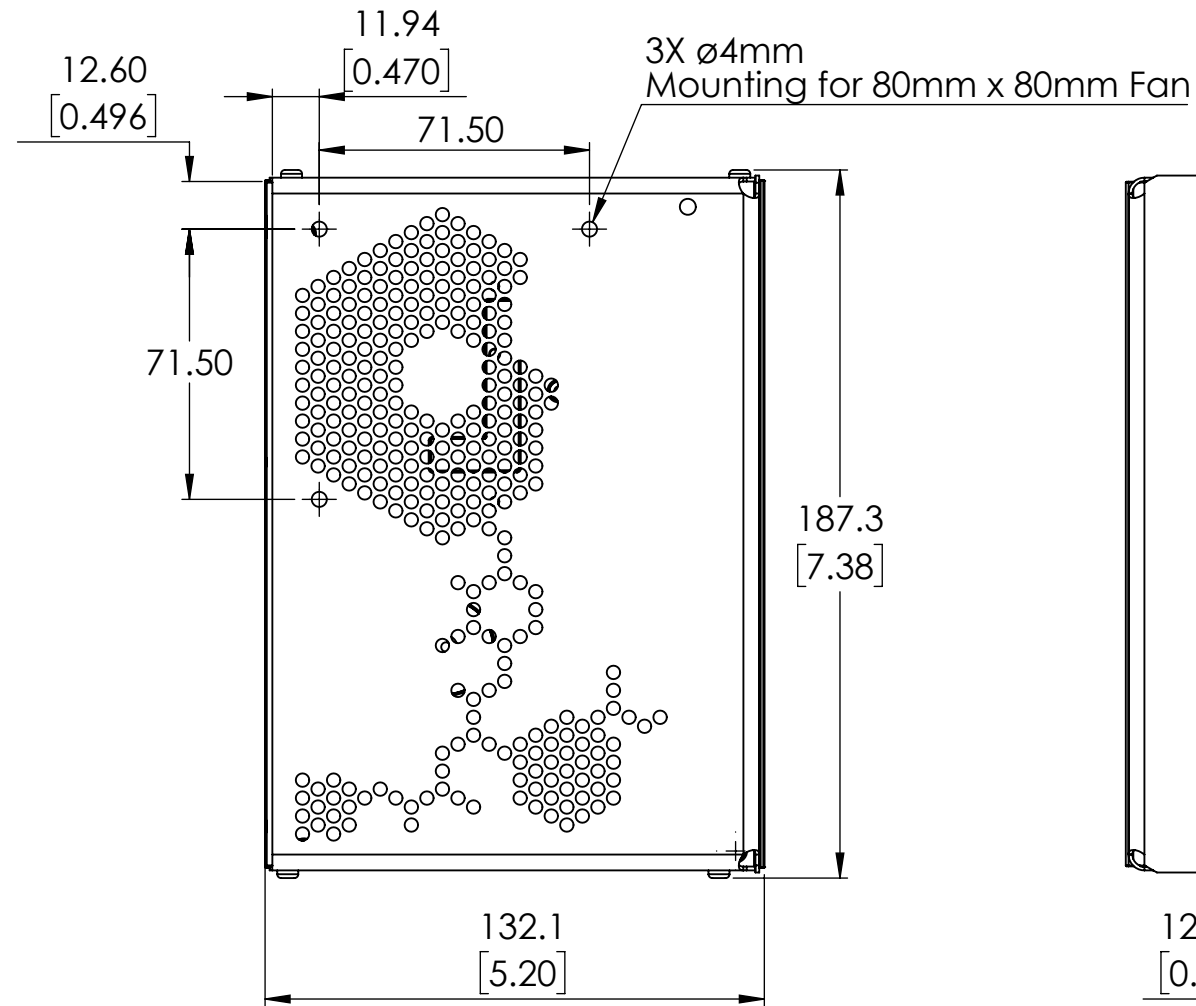
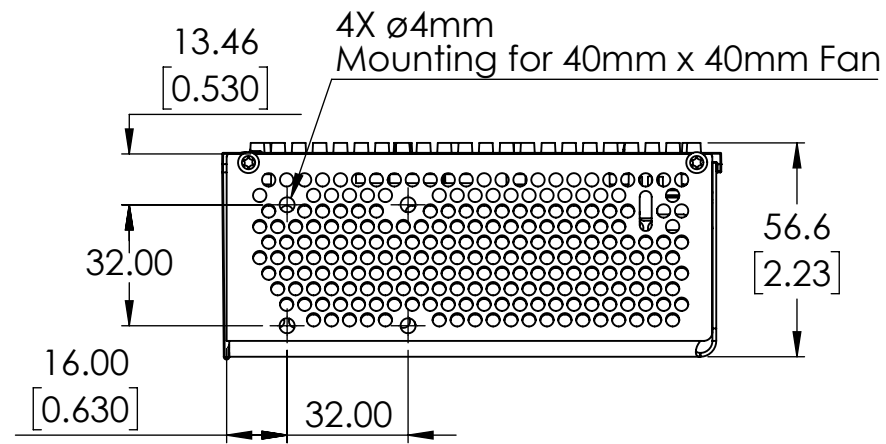
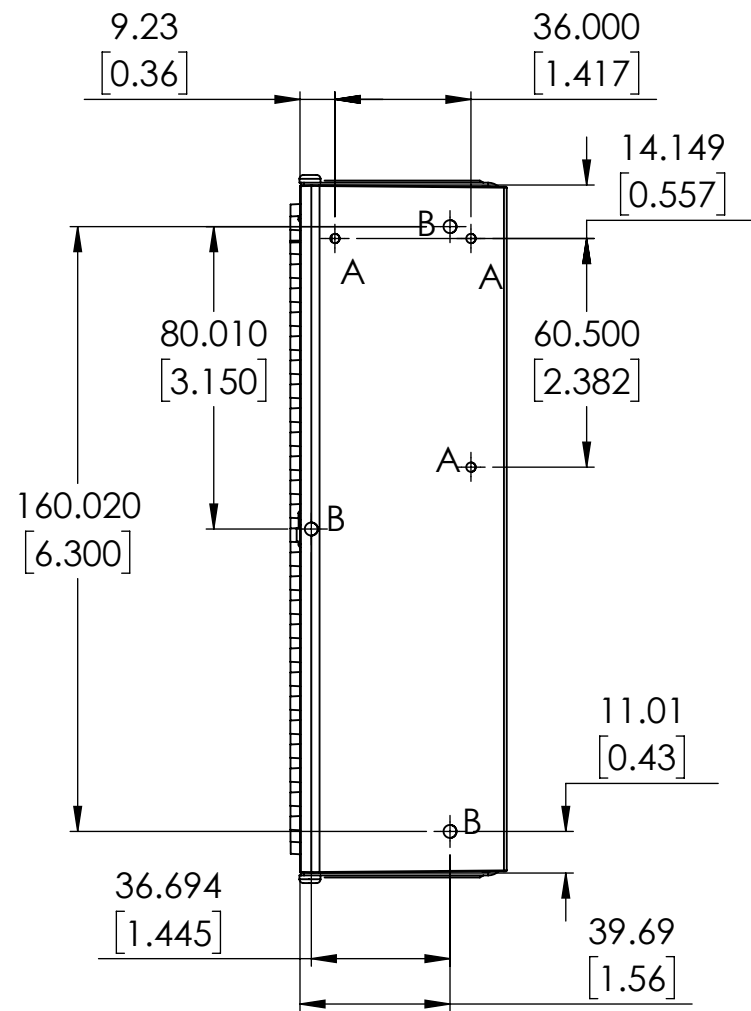


# IPC-5

## 350/500 Watt DC Power Supply

### PN: IPC-5

All dimensions are in mm [inch] unless otherwise noted.  
Sheet Scale 1:2



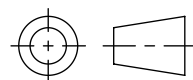
Unless otherwise specified, untoleranced dimensions default to:  
**X.X:** ± 2.54mm [0.100]  
**X.XX:** ± .38mm [0.015]  
**X.XXX:** ± .203mm [0.008]

A - M3 x 0.5 - 6H  $\nabla$  5.5 [.22] For optional DIN rail adapter, see manual  
 B - 8-32 UNC-2B  $\nabla$  6.35 [.25] For direct mount

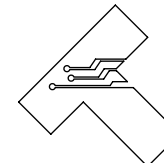
**Teknic, Incorporated**

Victor, NY 14564 USA

This document and related electronic files are the sole property of Teknic, Incorporated and contain proprietary information.



Third-Angle Projection



Additional documentation including product specifications, up-to-date compliance information, and manuals can be downloaded from Teknic's website.

Visit <https://www.teknic.com/> to access that documentation.

DWG. NO./REV

D1224/A

TITLE: IPC-5 DC Power Supply

1

of 1 Sheets