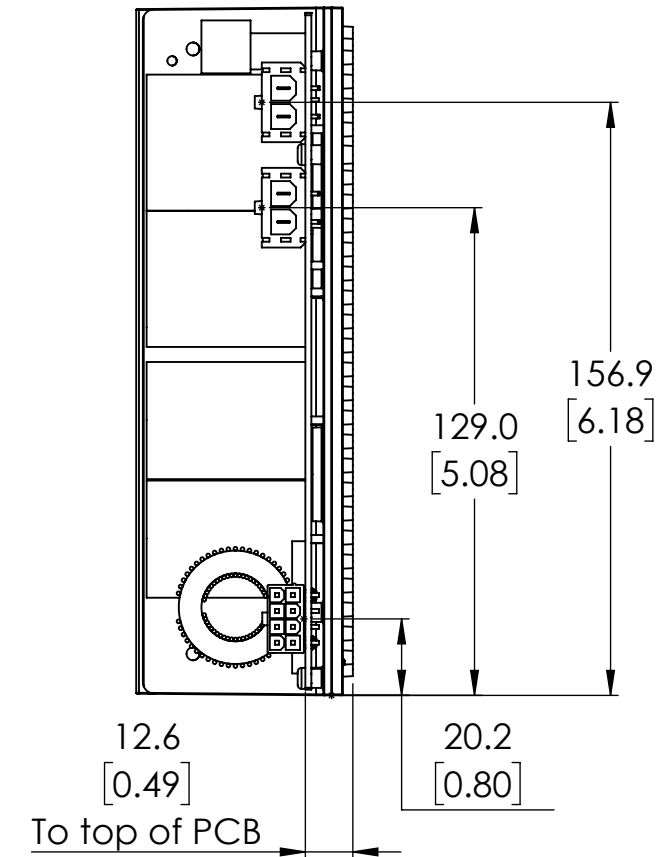
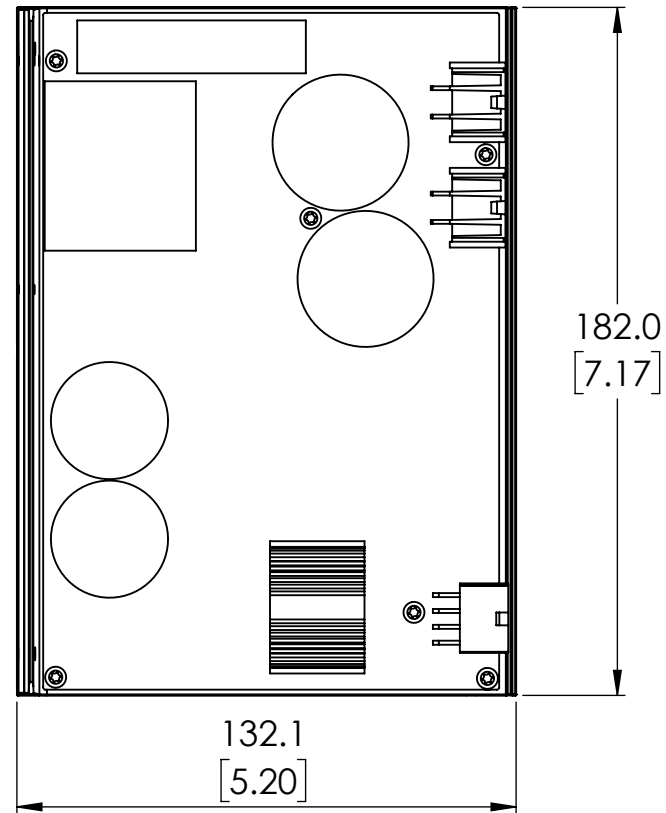
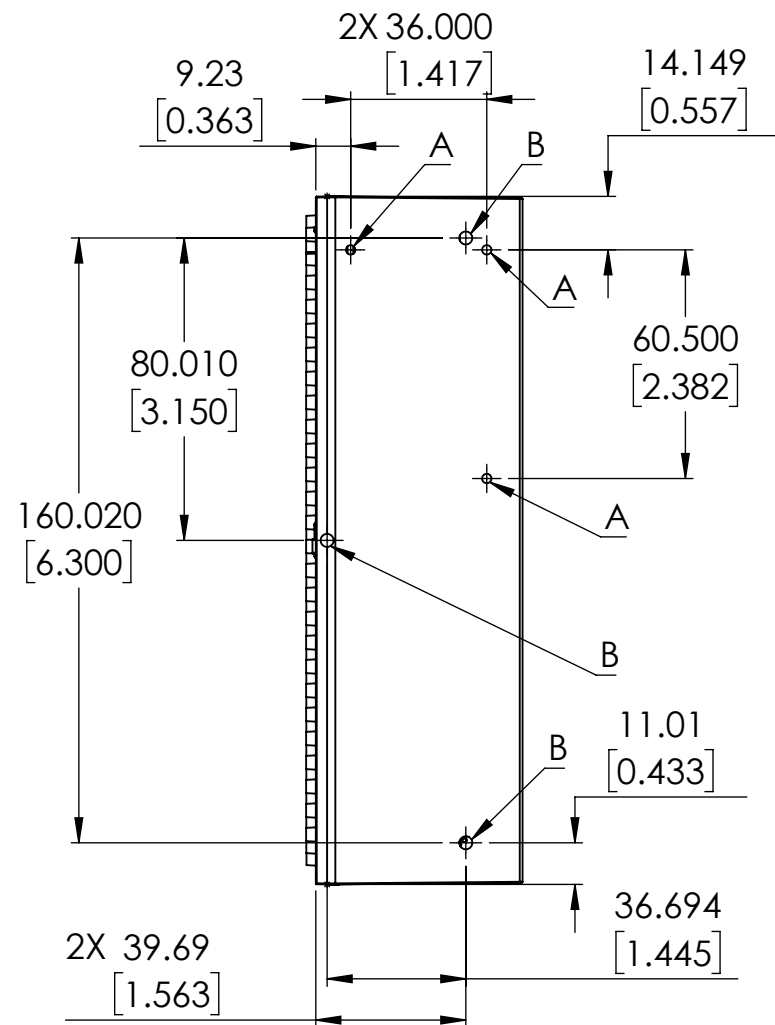
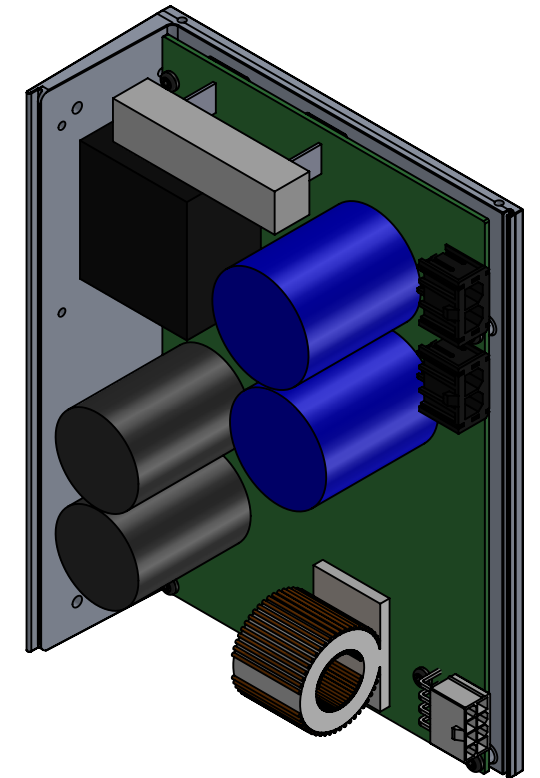
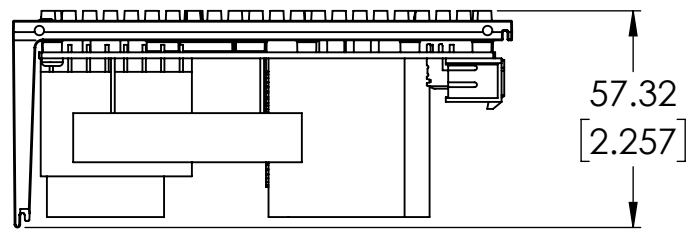


IPC-3

225 Watt DC Power Supply

PN: IPC-3

All dimensions are in mm [inch] unless otherwise noted.
Sheet Scale 1:2



Unless otherwise specified, untoleranced dimensions default to:

X.X: ± 2.54mm [0.100]

X.XX: ± .38mm [0.015]

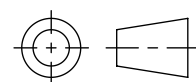
X.XXX: ± .203mm [0.008]

A - M3 x 0.5 - 6H ∇ 5.5 [.22] For optional DIN rail adapter, see manual.
B - 8-32 UNC-2B ∇ 6.35 [.25] For direct mount.

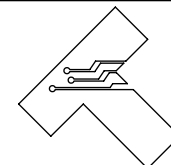
Teknic, Incorporated

Victor, NY 14564 USA

This document and related electronic files are the sole property of Teknic, Incorporated and contain proprietary information.



Third-Angle Projection



Additional documentation including product specifications, up-to-date compliance information, and manuals can be downloaded from Teknic's website.

Visit <https://www.teknic.com/> to access that documentation.

DWG. NO./REV
D1250/A

TITLE: IPC-3 DC Power Supply

1 of 1 Sheets