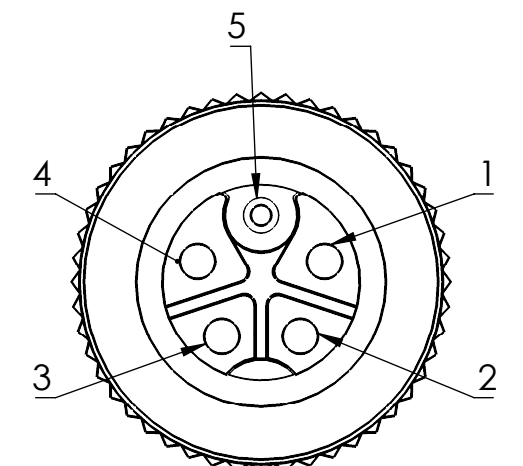
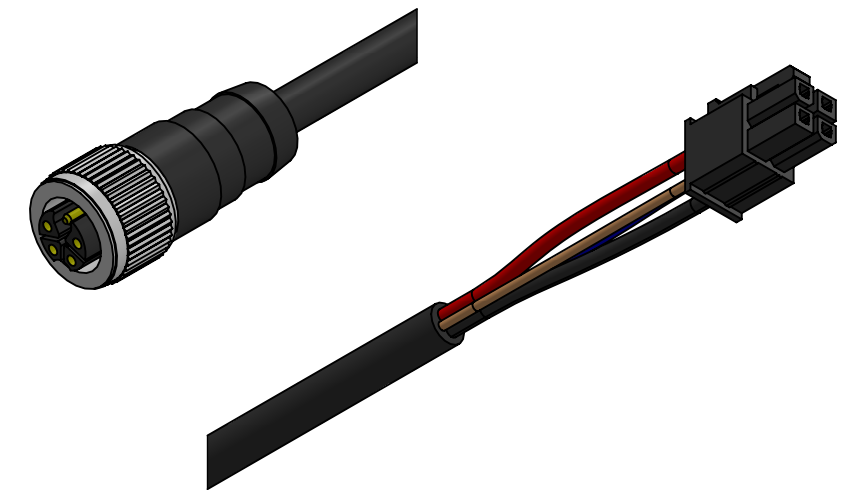


# ClearPath<sup>®</sup> Motor IP66K/IP67 Power Cable

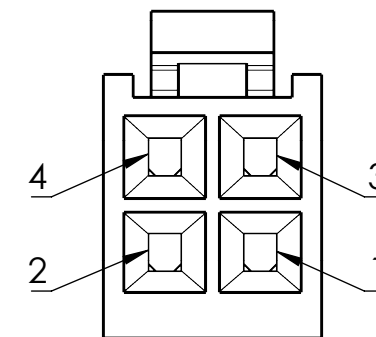
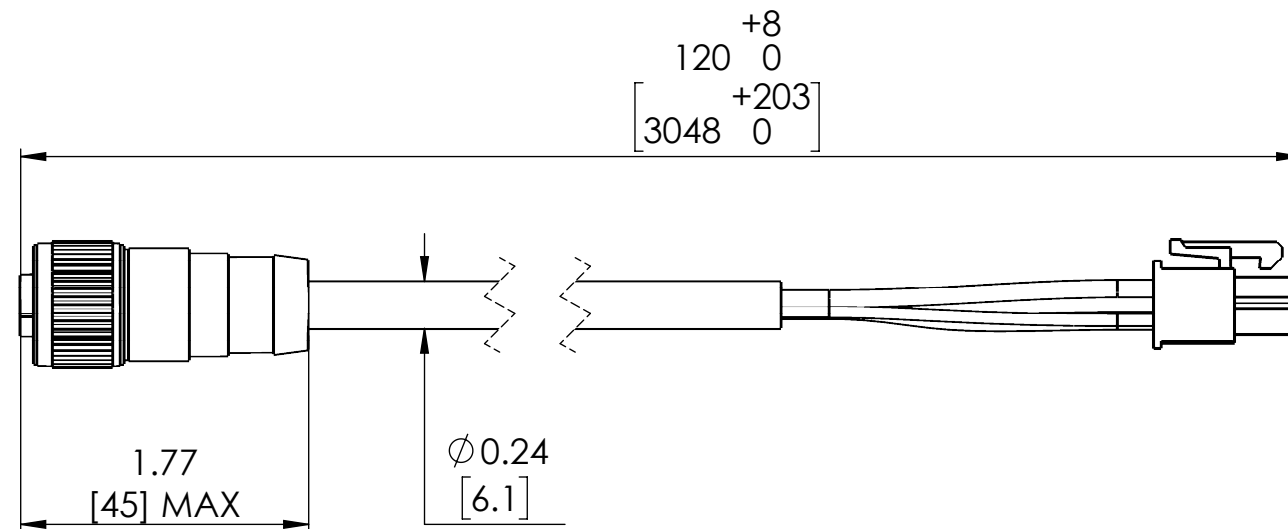
M12 K-coded (Female) to Molex Mini-Fit Jr. 4, 10ft [3.05m]  
 PN: CPMS-CABLE-PWR-KM120

All dimensions are in inches [mm] unless otherwise noted.  
 Sheet Scale 1:1 unless otherwise noted



**P1 M12 K-coded (Female)**  
 Front View

Scale 3:1



**P2 Molex Mini-Fit Jr. 4 (Female)**  
 Wire Entry View

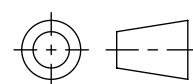
Scale 3:1

Terminal Assignment Table				
P1 Terminal	Wire Size	Color	Signal	P2 Terminal
1	16 AWG	Red	Bus Power +	3
2	16 AWG	Black	Bus Power -	2
3	22 AWG	Blue	Logic Power -	4
4	22 AWG	Orange	Logic Power +	1
5	N.C.	-		-

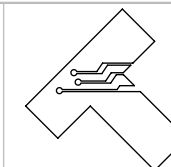
**Teknic, Incorporated**

Victor, NY 14564 USA

This document and related electronic files are the sole property of Teknic, Incorporated and contain proprietary information.



Third-Angle Projection



Additional documentation including product specifications, up-to-date compliance information, and manuals can be downloaded from Teknic's website.

Visit <https://www.teknic.com/> to access that documentation.

DWG. NO./REV  
 D1239/B

TITLE: ClearPath<sup>®</sup> IP66K/IP67 Motor Cables

2 of 4 Sheets