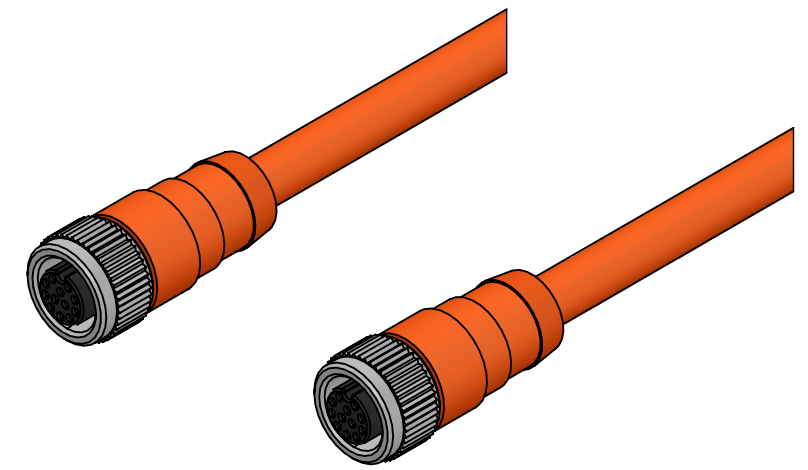


ClearPath[®] Motor IP66K/IP67 Network Cable

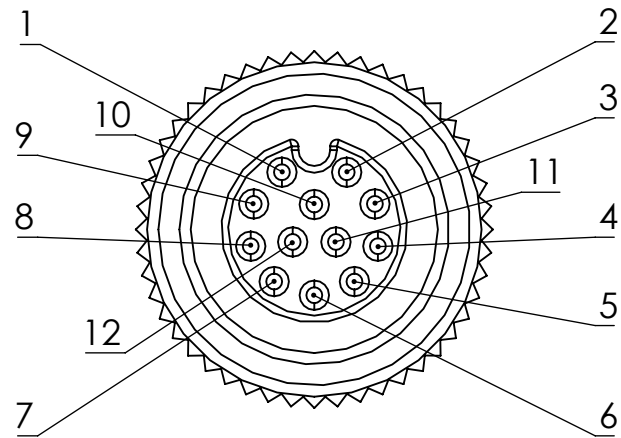
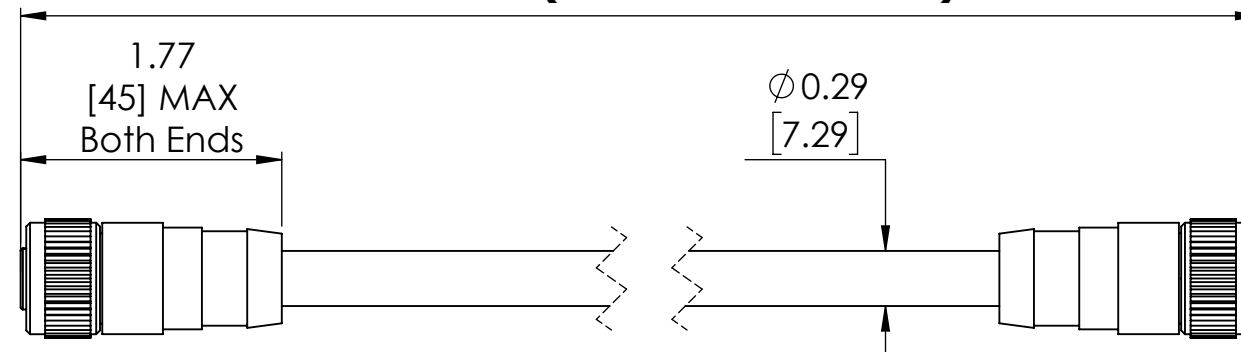
M12 A-coded (Female) to M12 A-coded (Female)



Part Number	Length (in)	Length (mm)
CPMS-CABLE-NET-AA039	39 ⁺⁴ ₀	991 ⁺¹⁰² ₀
CPMS-CABLE-NET-AA120	120 ⁺⁸ ₀	3048 ⁺²⁰³ ₀
CPMS-CABLE-NET-AA315	315 ⁺¹² ₀	8001 ⁺³⁰⁵ ₀

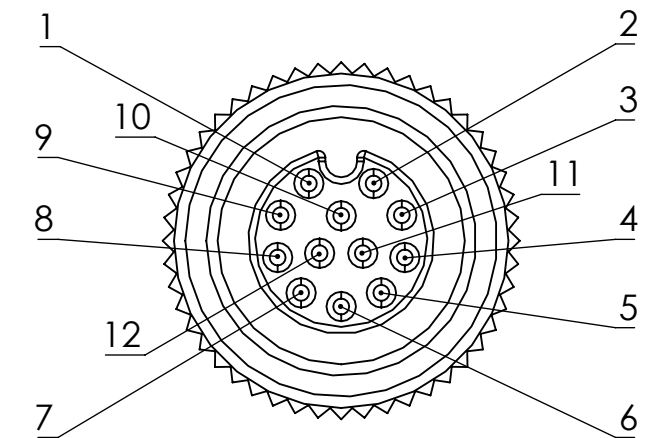
All dimensions are in inches [mm] unless otherwise noted.
Sheet Scale 1:1 unless otherwise noted

LENGTH (see table above)



**P1 M12 A-coded
(Female) 12 Position**
Front View
Scale 3:1

Terminal Assignment Table				
P1 Terminal	Wire Size	Wire Color	Signal Name	P2 Terminal
1	26 AWG	Blue	NetA RX-	1
2	26 AWG	Green	NetB RX-	2
3	26 AWG	White/Green	NetB RX+	3
4	26 AWG	Orange	NetB TX-	4
5	26 AWG	White/Orange	NetB TX+	5
6	26 AWG	White/Red	IO A1	6
7	26 AWG	White/Brown	NetA TX+	7
8	26 AWG	Brown	NetA TX-	8
9	26 AWG	White/Blue	NetA RX+	9
10	26 AWG	White/Yellow	IO B1	10
11	26 AWG	Red	IO A2	11
12	26 AWG	Yellow	IO B2	12

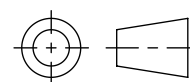


**P2 M12 A-coded
(Female) 12 Position**
Front View
Scale 3:1

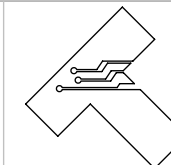
Teknic, Incorporated

Victor, NY 14564 USA

This document and related electronic files are the sole property of Teknic, Incorporated and contain proprietary information.



Third-Angle Projection



Additional documentation including product specifications, up-to-date compliance information, and manuals can be downloaded from Teknic's website.

Visit <https://www.teknic.com/> to access that documentation.

DWG. NO./REV

D1241/A

TITLE: ClearPath[®] IP66K/IP67 Motor Cables

1 of 1 Sheets