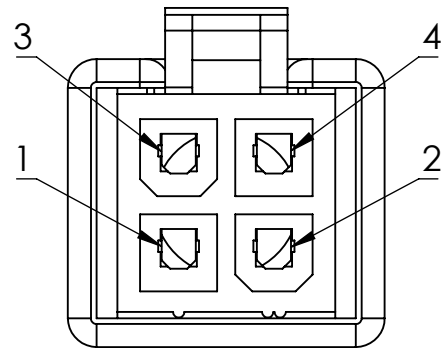
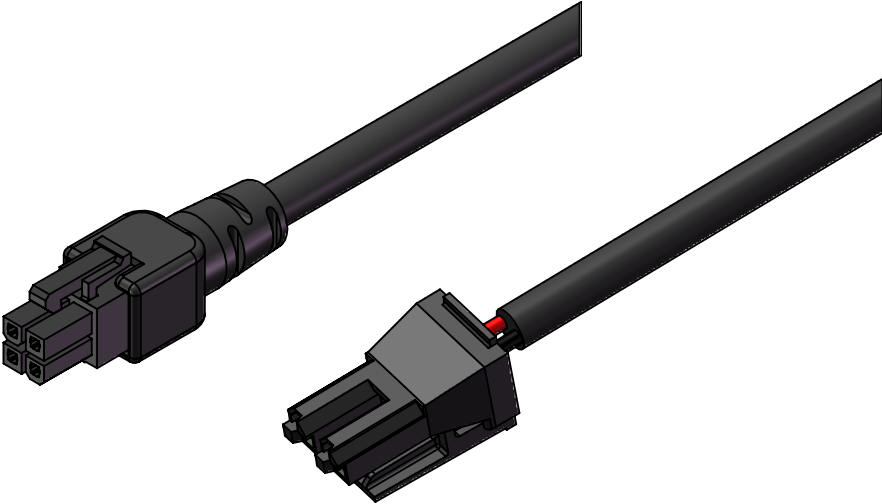


ClearPath[®] Motor Power Cable

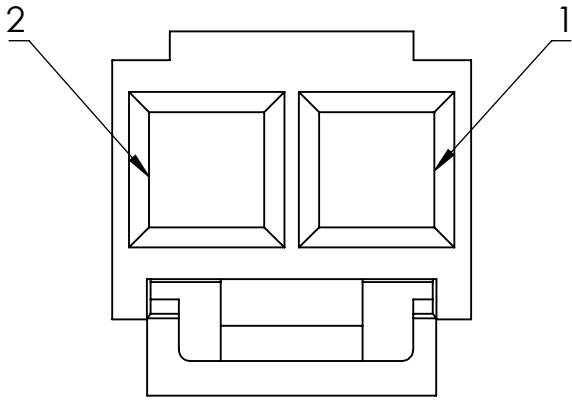
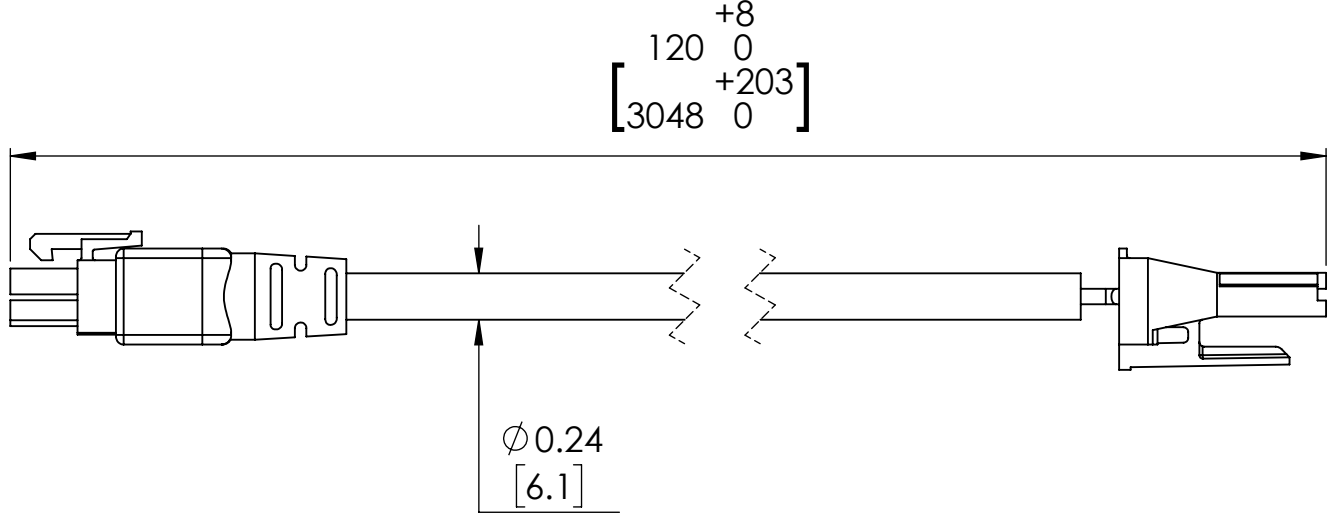
Molex Mini-Fit Jr. 4 to Molex Sabre 2-Position, 10ft [3.05m]

PN: CPM-CABLE-PWR-MS120

All dimensions are in inches [mm] unless otherwise noted.
 Sheet Scale 1:1



P1 Molex Mini-Fit Jr. 4
 Front View
 Scale 3:1



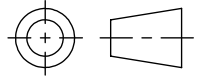
P2 Molex Sabre 2-Position
 Wire Entry View
 Scale 3:1

Terminal Assignment Table				
P1 Terminal	Wire Size	Color	Signal	P2 Terminal
3	16 AWG	Red	V+	1
2	16 AWG	Black	GND	2

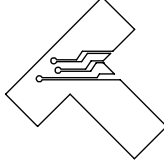
Teknic, Incorporated

Victor, NY 14564 USA

This document and related electronic files are the sole property of Teknic, Incorporated and contain proprietary information.



Third-Angle Projection



Additional documentation including product specifications, up-to-date compliance information, and manuals can be downloaded from Teknic's website.
 Visit <https://www.teknic.com/> to access that documentation.

DWG. NO./REV
 D1251/B

TITLE: ClearPath[®] Motor Cables

3 of 4 Sheets