

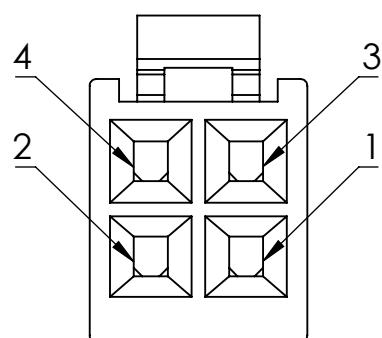
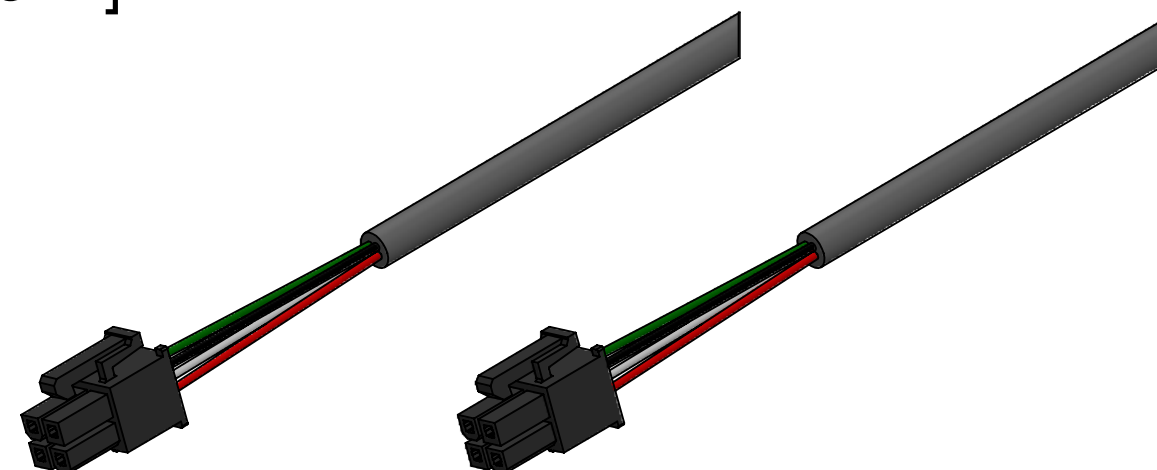
# Multiuse 4-Position I/O Cable

Molex Mini-Fit Jr. 4 to Molex Mini-Fit Jr. 4, 10ft [3.05m]

PN: CPM-CABLE-M4P4P-120

Note: This cable *cannot* be used to power ClearPath® motors.

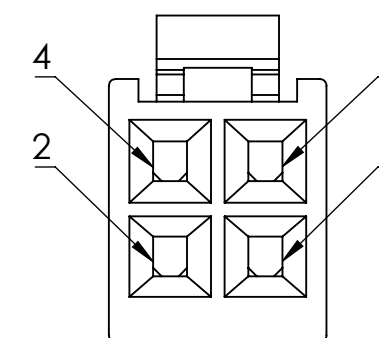
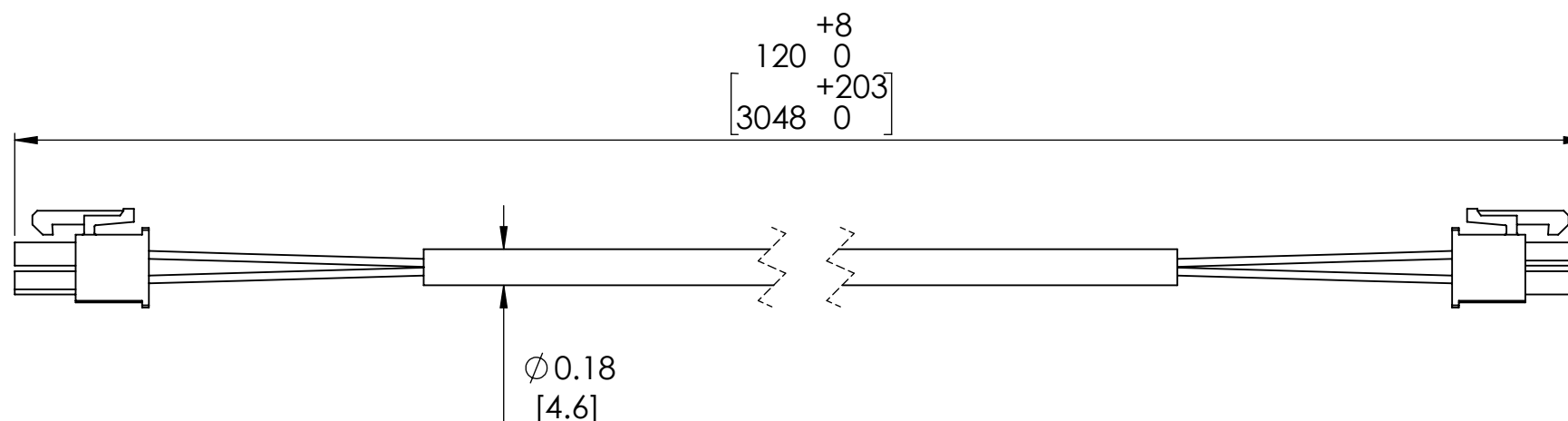
All dimensions are in inches [mm] unless otherwise noted.  
Sheet Scale 1:1 unless otherwise noted



**P1 Molex Mini-Fit Jr. 4**

Wire Entry View

Scale 3:1



**P2 Molex Mini-Fit Jr. 4**

Wire Entry View

Scale 3:1

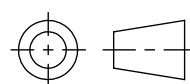
**Terminal Assignment Table**

P1 Terminal	Wire Size	Color	Signal		P2 Terminal
			ASU-FR510	SC4-HUB	
1	22 AWG	White	Courtesy V+	Input +	1
2	22 AWG	Red	Analog In+	24 V+	2
3	22 AWG	Green	Courtesy V-	Input -	3
4	22 AWG	Black	Analog In-	24V Return	4

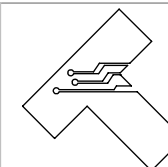
**Teknic, Incorporated**

Victor, NY 14564 USA

This document and related electronic files are the sole property of Teknic, Incorporated and contain proprietary information.



Third-Angle Projection



Additional documentation including product specifications, up-to-date compliance information, and manuals can be downloaded from Teknic's website.

Visit <https://www.teknic.com/> to access that documentation.

DWG. NO./REV  
D1245/A

TITLE: CPM-CABLE-M4P4P-120

1 of 1  
Sheets