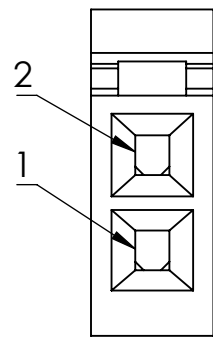
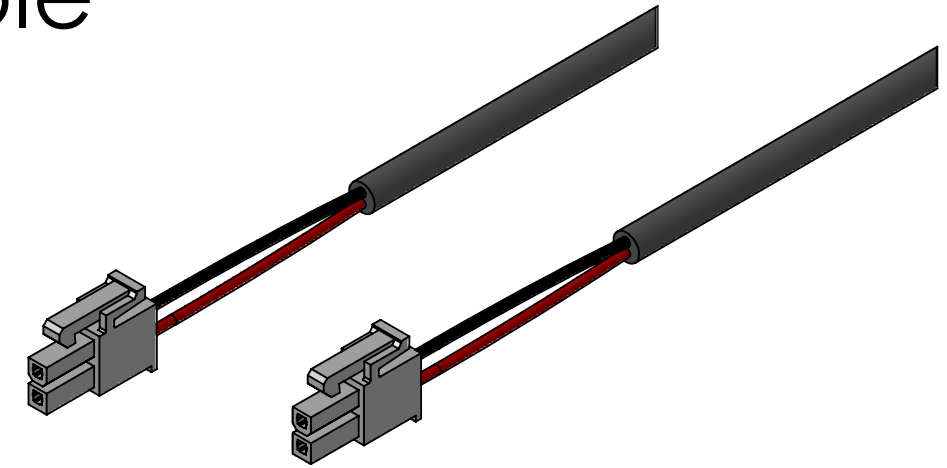


Multiuse 2-Position Low Voltage Power Cable

Molex Mini-Fit Jr. 2 to Molex Mini-Fit Jr. 2, 10ft [3.05m]

PN: CPM-CABLE-M2P2P-120

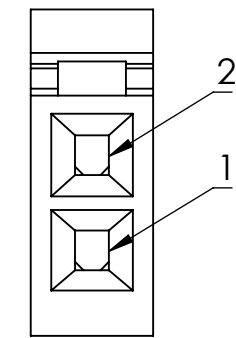
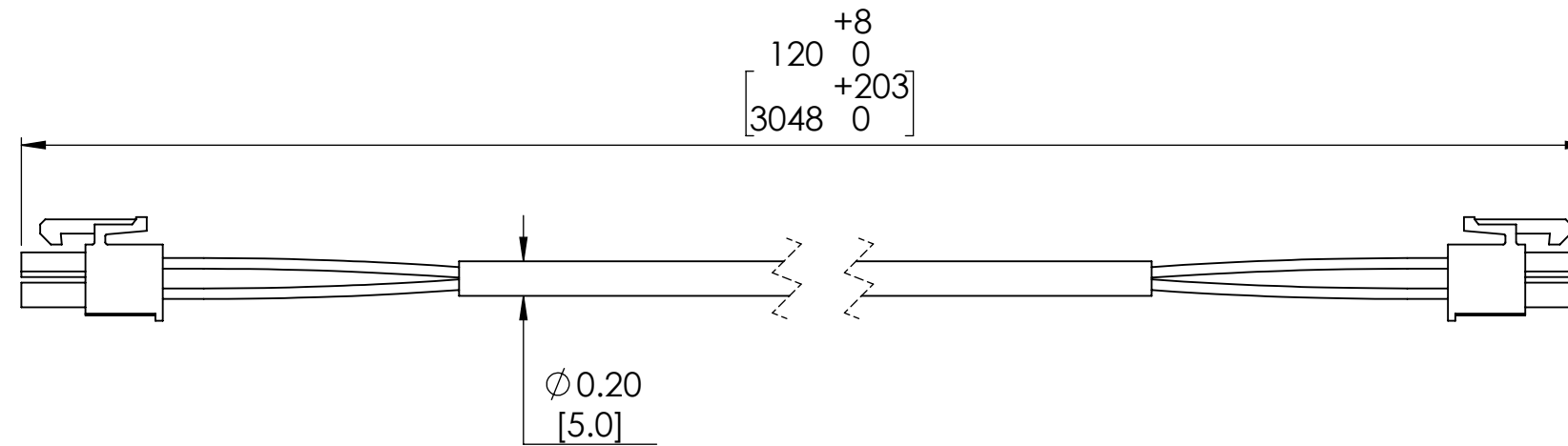
All dimensions are in inches [mm] unless otherwise noted.
Sheet Scale 1:1 unless otherwise noted



P1 Molex Mini-Fit Jr. 2

Wire Entry View

Scale 3:1



P2 Molex Mini-Fit Jr. 2

Wire Entry View

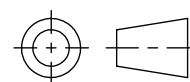
Scale 3:1

Terminal Assignment Table				
P1 Terminal	Wire Size	Color	Signal	P2 Terminal
1	20 AWG	Red	V+	1
2	20 AWG	Black	V-	2

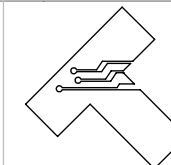
Teknic, Incorporated

Victor, NY 14564 USA

This document and related electronic files are the sole property of Teknic, Incorporated and contain proprietary information.



Third-Angle Projection



Additional documentation including product specifications, up-to-date compliance information, and manuals can be downloaded from Teknic's website.

Visit <https://www.teknic.com/> to access that documentation.

DWG. NO./REV
D1244/A

TITLE: CPM-CABLE-M2P2P-120

1 of 1 Sheets