

# Teknic ClearPath<sup>®</sup> - EC

## Fractional HP, DC Input

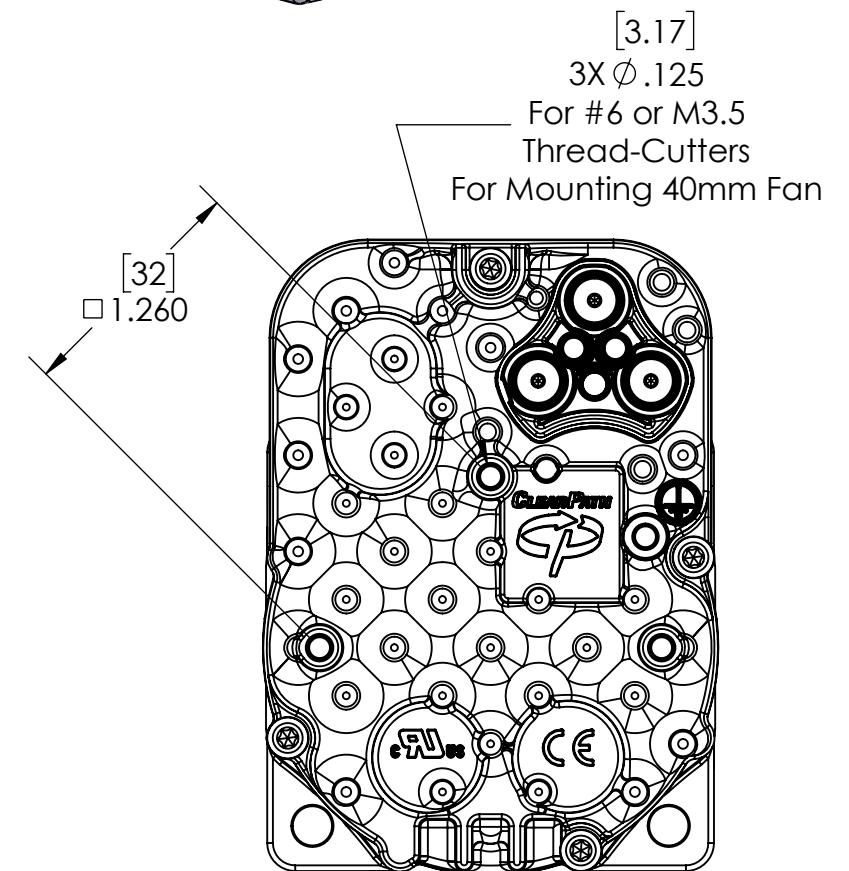
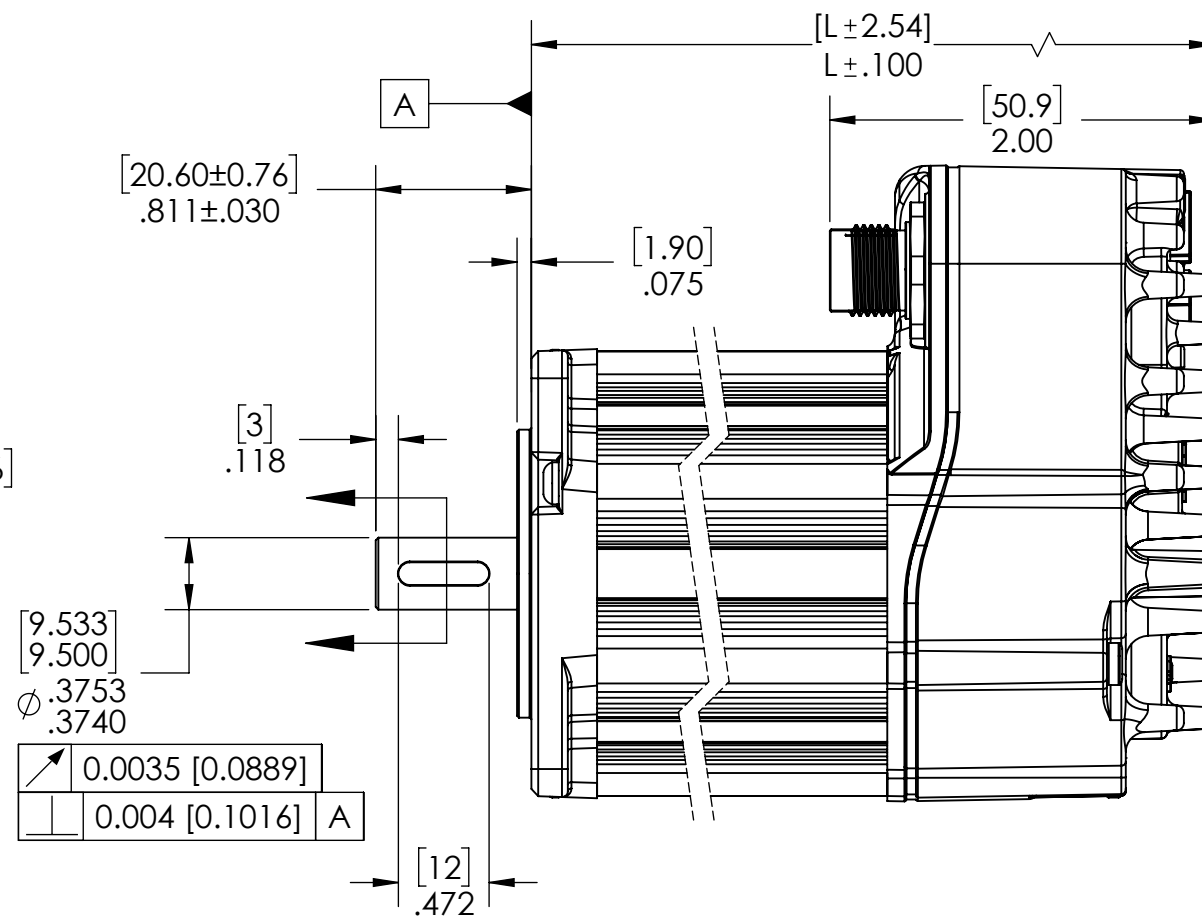
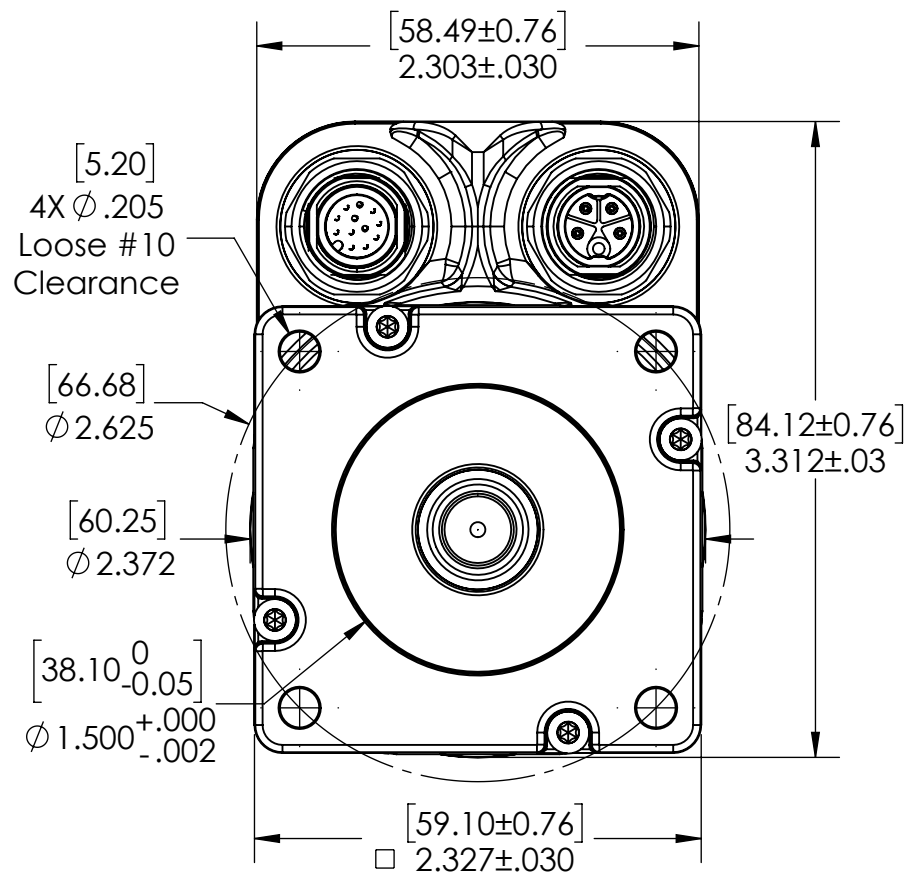
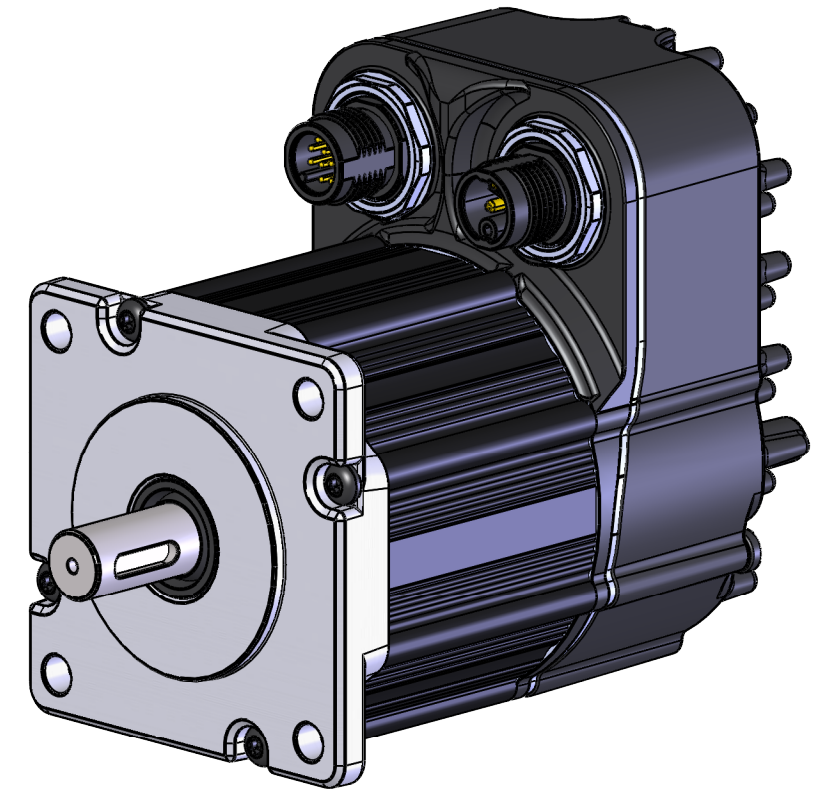
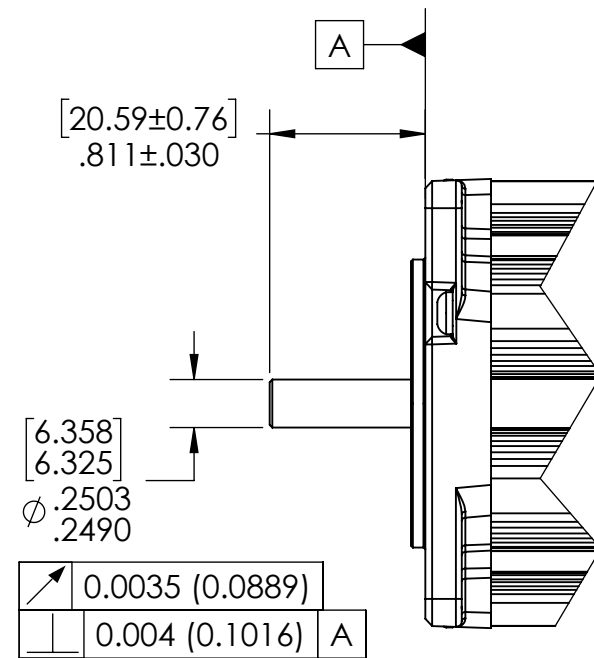
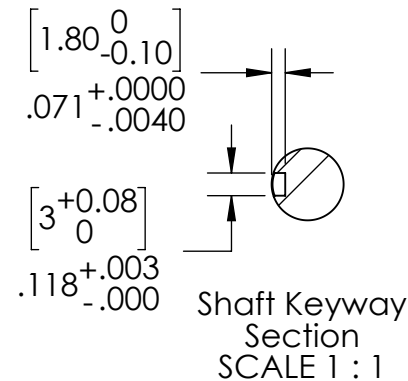
### NEMA 23

All dimensions are in inch [mm] unless otherwise noted.  
Sheet Scale 1:1

Unless otherwise specified, untoleranced dimensions default to:

X.XX: ± 0.010" [.25mm]  
X.XXX: ± 0.005" [.125mm]

Model Number	L
231x	3.591 [91.21]
232x	4.339 [110.21]
233x	5.087 [129.21]
234x	5.835 [148.21]

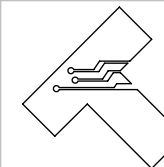


**Teknic, Incorporated**

Victor, NY 14564 USA

This document and related electronic files are the sole property of Teknic, Incorporated and contain proprietary information.

Third-Angle Projection



Additional documentation including product specifications, up-to-date compliance information, and manuals can be downloaded from Teknic's website.

Visit <https://www.teknic.com/> to access that documentation.

DWG. NO./REV

D1235/C

TITLE: ClearPath - EC Motors & Accessories

1

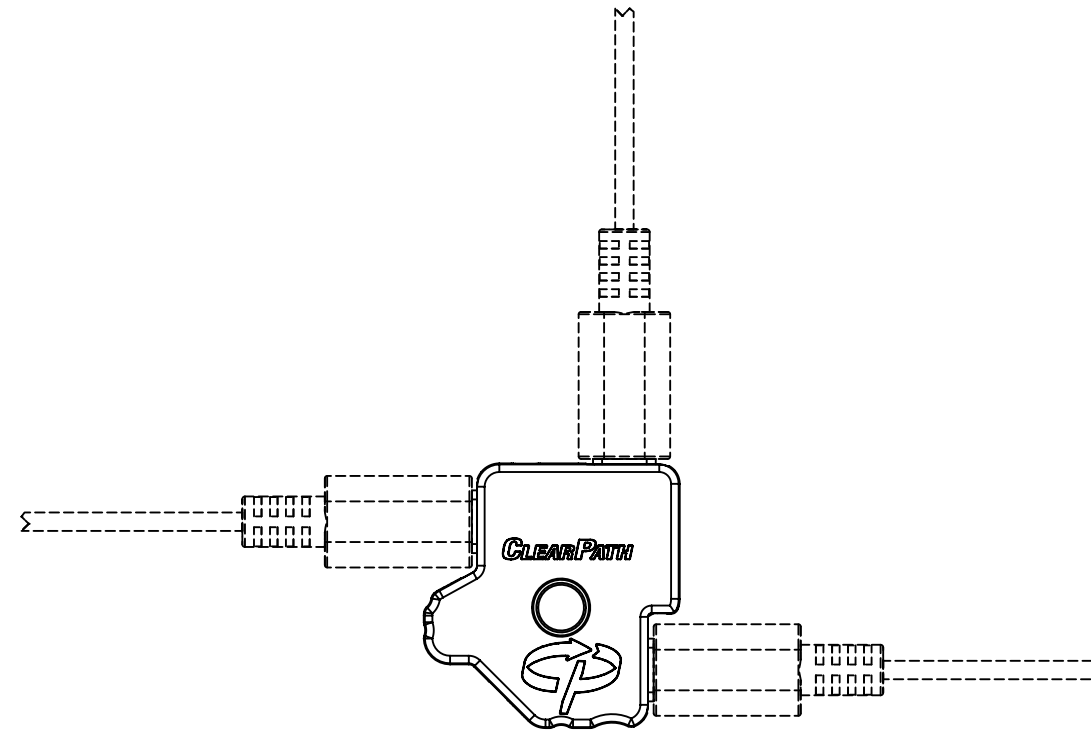
of 5  
Sheets

# USB-IR Converter

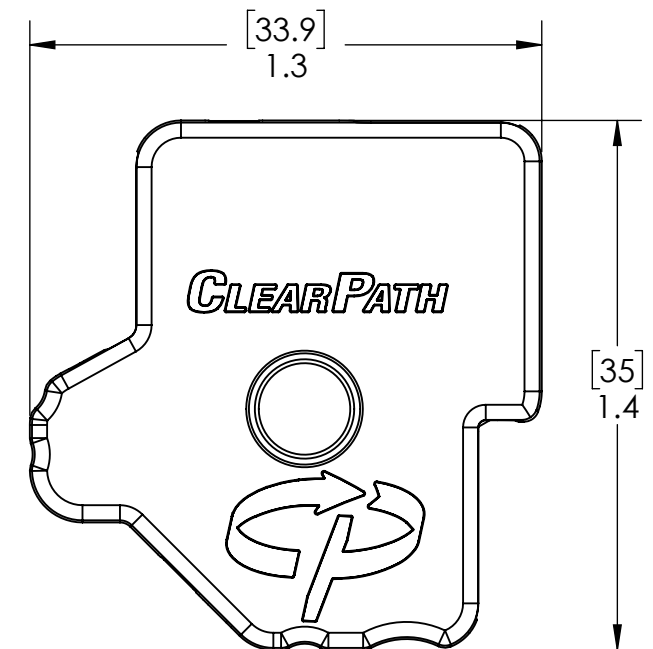
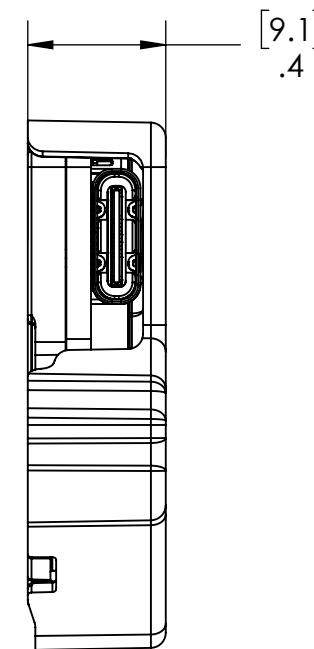
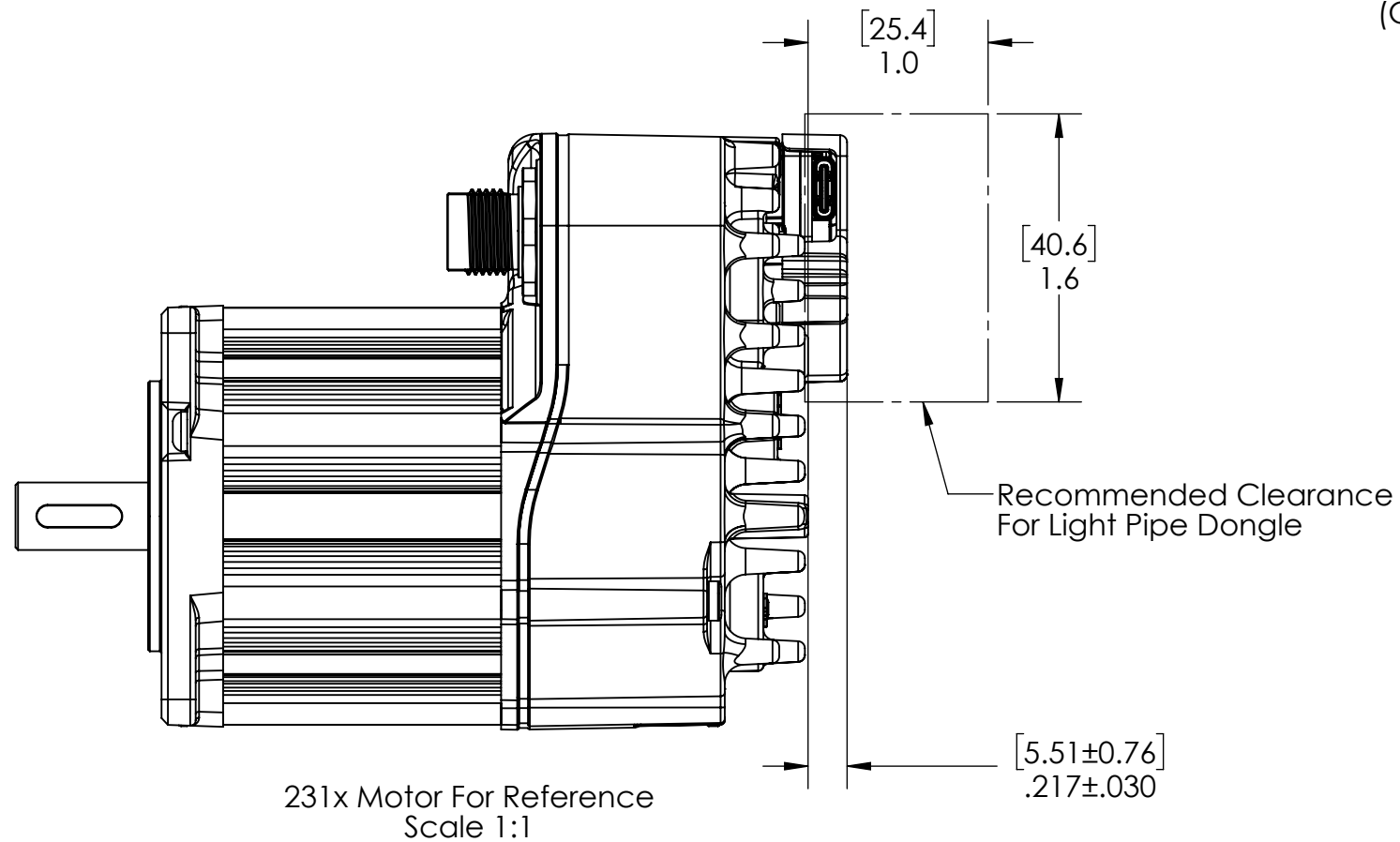
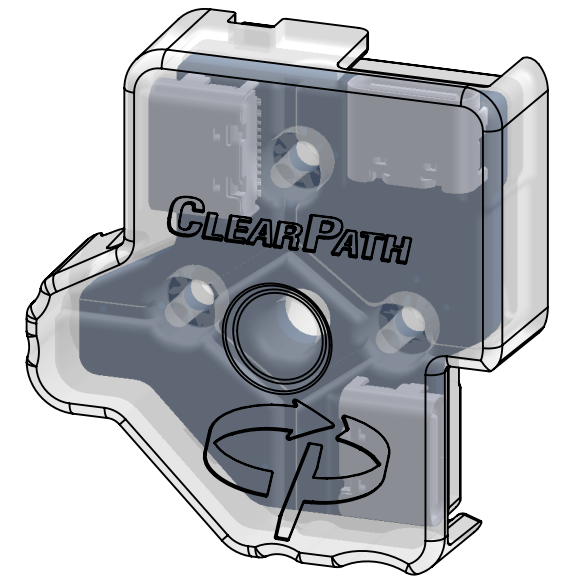
## P/N: CPMS-USB-IR

All dimensions are in inch [mm] unless otherwise noted.  
Sheet Scale 2:1

Unless otherwise specified, untoleranced dimensions default to:  
**X.X: ± 0.020" [.5mm]**  
**X.XX: ± 0.010" [.25mm]**

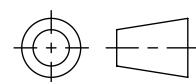


To allow easy connection in multiple orientations, a USB-C cable can be plugged into any one of three locations.  
(Cables not Included)  
Scale 1:1

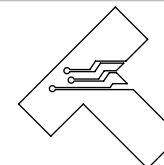


**Teknic, Incorporated**  
Victor, NY 14564 USA

This document and related electronic files are the sole property of Teknic, Incorporated and contain proprietary information.



Third-Angle Projection



Additional documentation including product specifications, up-to-date compliance information, and manuals can be downloaded from Teknic's website.  
Visit <https://www.teknic.com/> to access that documentation.

DWG. NO./REV

D1235/C

TITLE: ClearPath - EC Motors & Accessories

2 of 5 Sheets

# USB-IR Port Cover

## P/N: CPM-COVER-USB-5PC

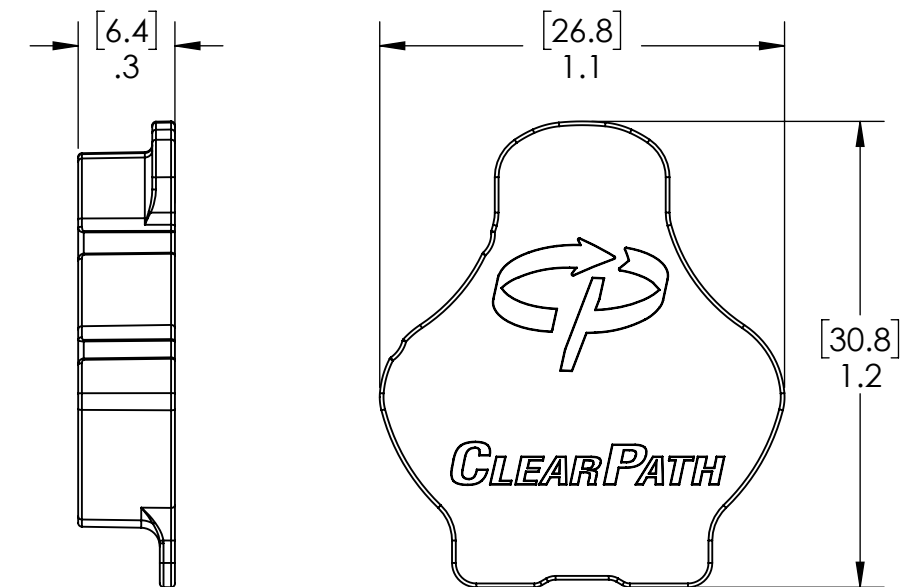
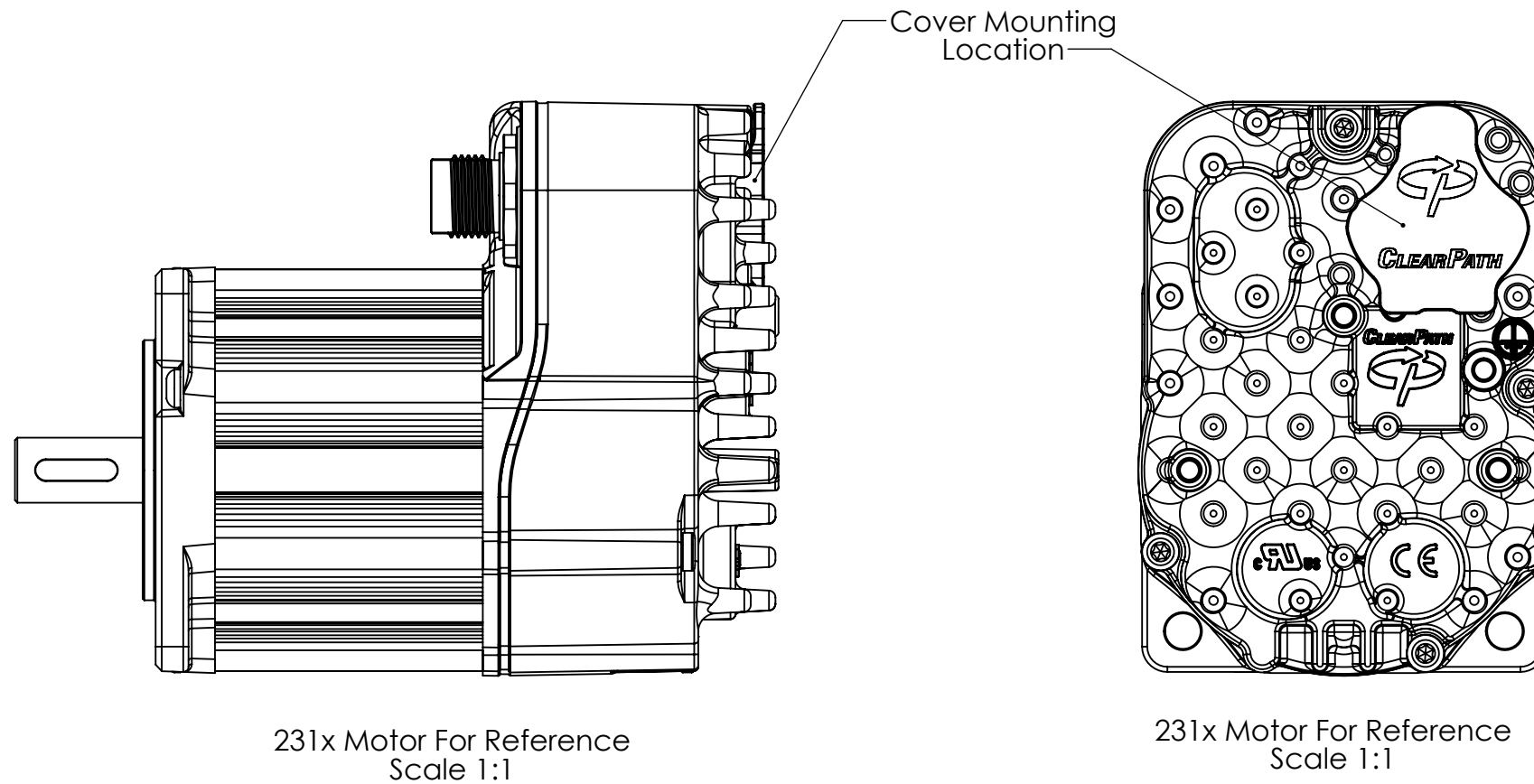
Package of five (5) covers.

All dimensions are in inch [mm] unless otherwise noted.  
Sheet Scale 2:1

Unless otherwise specified, untoleranced dimensions default to:

**X.X:** ± 0.020" [.5mm]

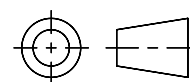
**X.XX:** ± 0.010" [.25mm]



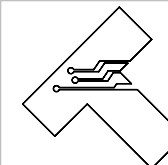
**Teknic, Incorporated**

Victor, NY 14564 USA

This document and related electronic files are the sole property of Teknic, Incorporated and contain proprietary information.



Third-Angle Projection



Additional documentation including product specifications, up-to-date compliance information, and manuals can be downloaded from Teknic's website.

Visit <https://www.teknic.com/> to access that documentation.

DWG. NO./REV

D1235/C

TITLE: ClearPath - EC Motors & Accessories

3

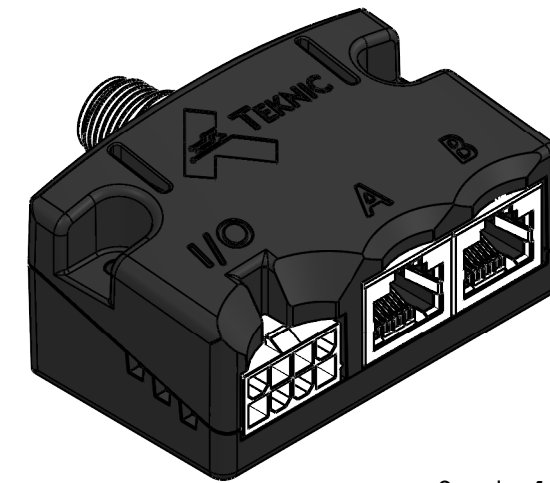
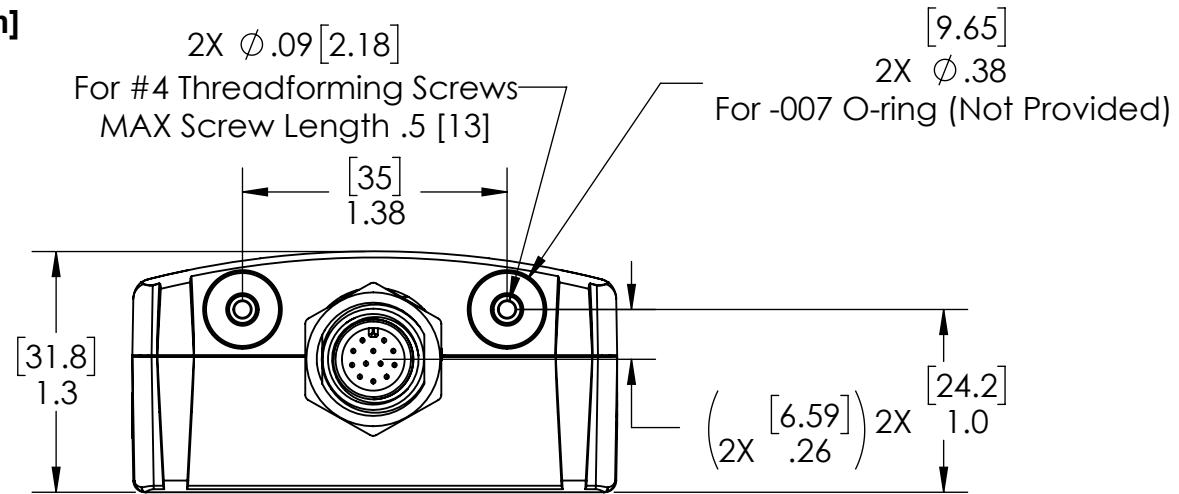
of 5  
Sheets

# M12 Network Connector Adapter

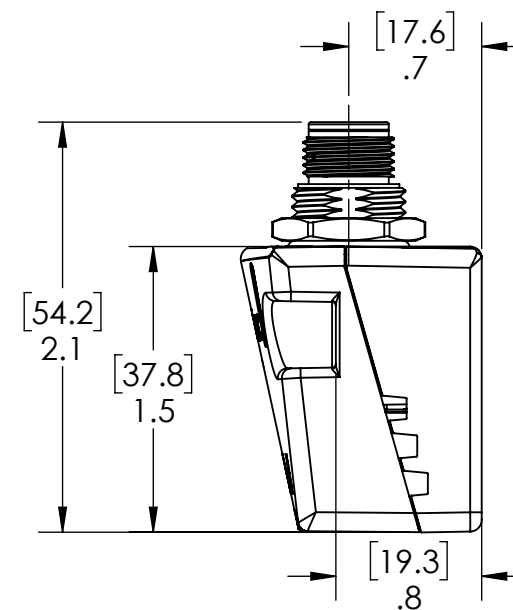
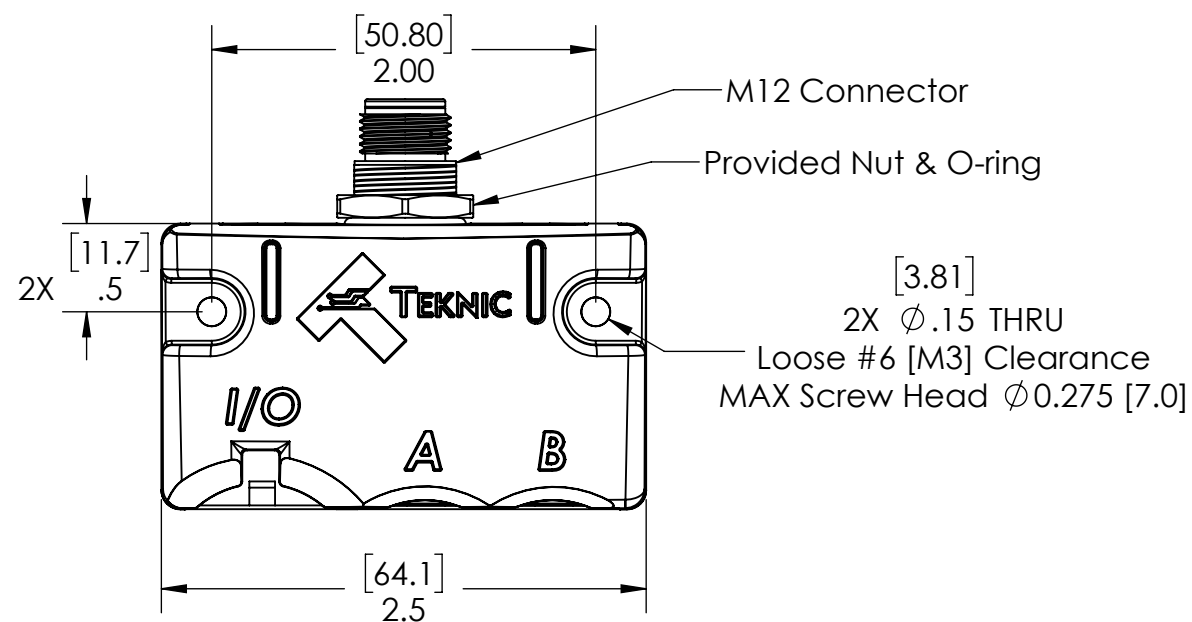
## PN: M12-ENET-CON

All dimensions are in inch [mm] unless otherwise noted.  
Sheet Scale 1:1

Unless otherwise specified, untoleranced dimensions default to:  
**X.X:** ± 0.020" [.5mm]  
**X.XX:** ± 0.010" [.25mm]



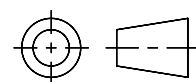
Scale 1:1



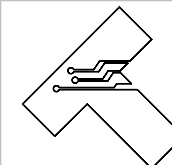
**Teknic, Incorporated**

Victor, NY 14564 USA

This document and related electronic files are the sole property of Teknic, Incorporated and contain proprietary information.



Third-Angle Projection



Additional documentation including product specifications, up-to-date compliance information, and manuals can be downloaded from Teknic's website.

Visit <https://www.teknic.com/> to access that documentation.

DWG. NO./REV

D1235/C

TITLE: ClearPath - EC Motors & Accessories

4

of 5  
Sheets

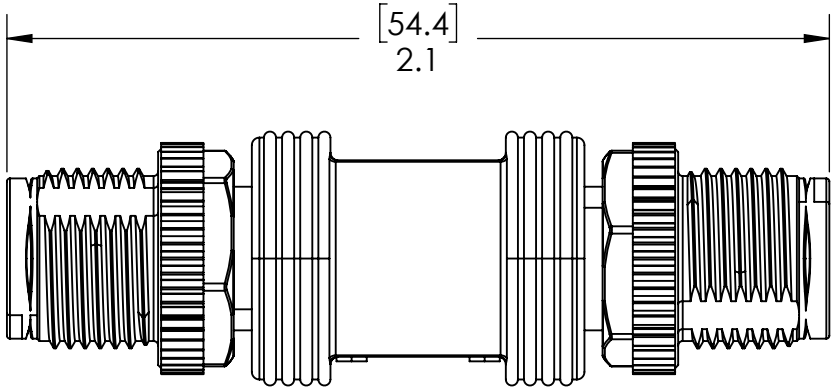
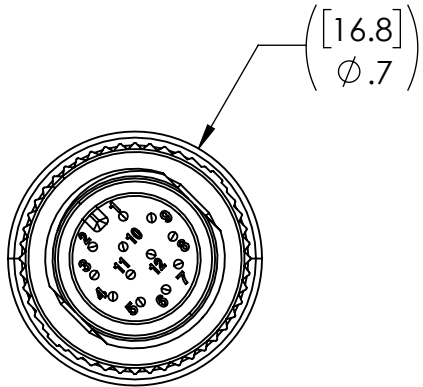
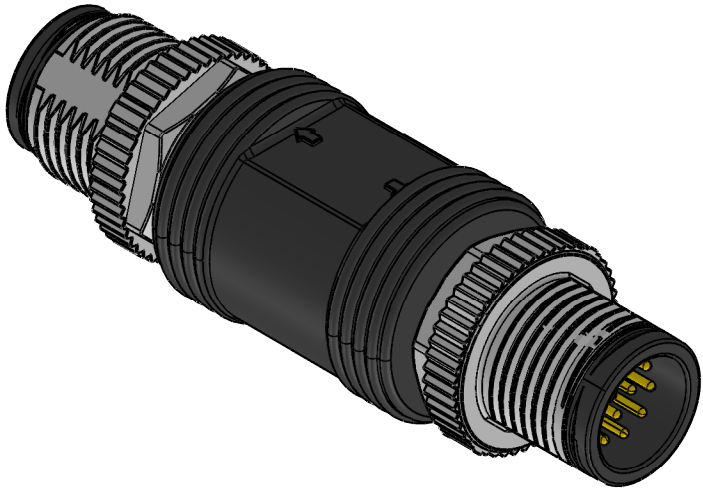
# Controller Cable Joiner

## PN: CPMS-JNR-NET-AA

M12 Male-to-Male for extending EtherNet controller cables.

All dimensions are in inch [mm] unless otherwise noted.  
Sheet Scale 2:1

Unless otherwise specified, untoleranced dimensions default to:  
**X.X:** ± 0.020" [.5mm]  
**X.XX:** ± 0.010" [.25mm]



DWG. NO./REV

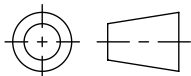
D1235/C

TITLE: ClearPath - EC Motors & Accessories

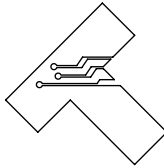
**Teknic, Incorporated**

Victor, NY 14564 USA

This document and related electronic files are the sole property of Teknic, Incorporated and contain proprietary information.



Third-Angle Projection



Additional documentation including product specifications, up-to-date compliance information, and manuals can be downloaded from Teknic's website.

Visit <https://www.teknic.com/> to access that documentation.

5

of 5  
Sheets