

Teknic ClearPath[®] - IP66K/IP67

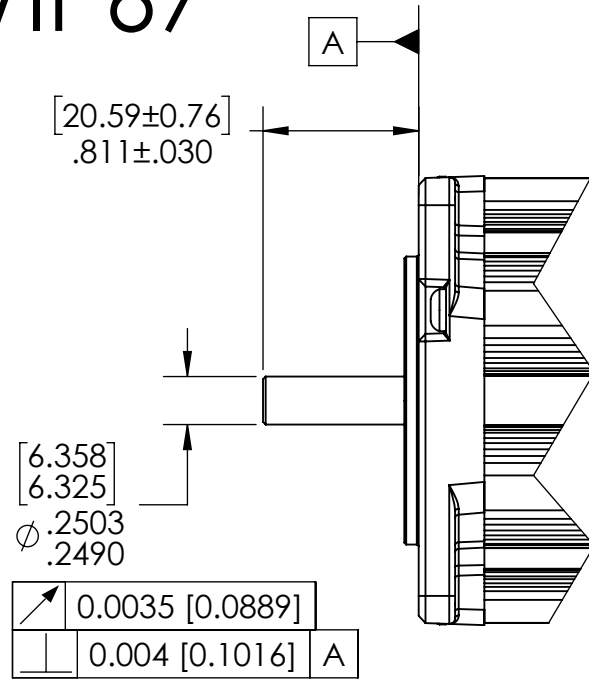
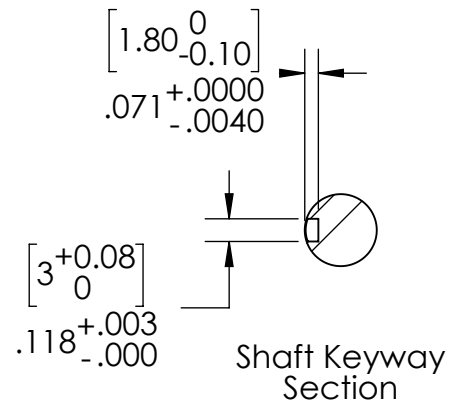
Fractional HP, DC Input

NEMA 23

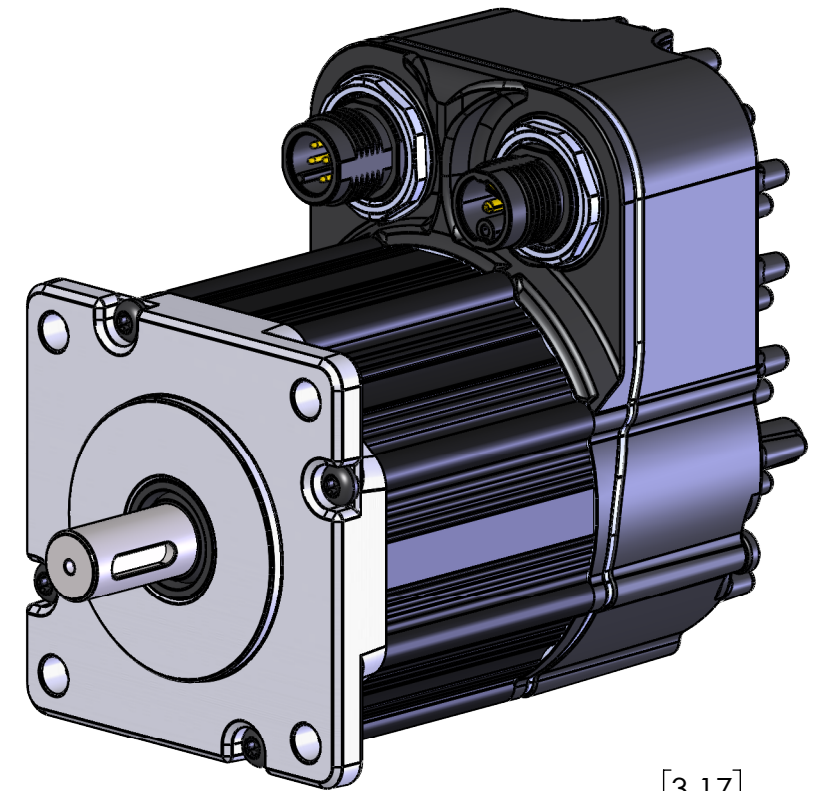
All dimensions are in inch [mm] unless otherwise noted.
Sheet Scale 1:1

Unless otherwise specified, untoleranced dimensions default to:
X.XX: ± 0.010" [.25mm]
X.XXX: ± 0.005" [.125mm]

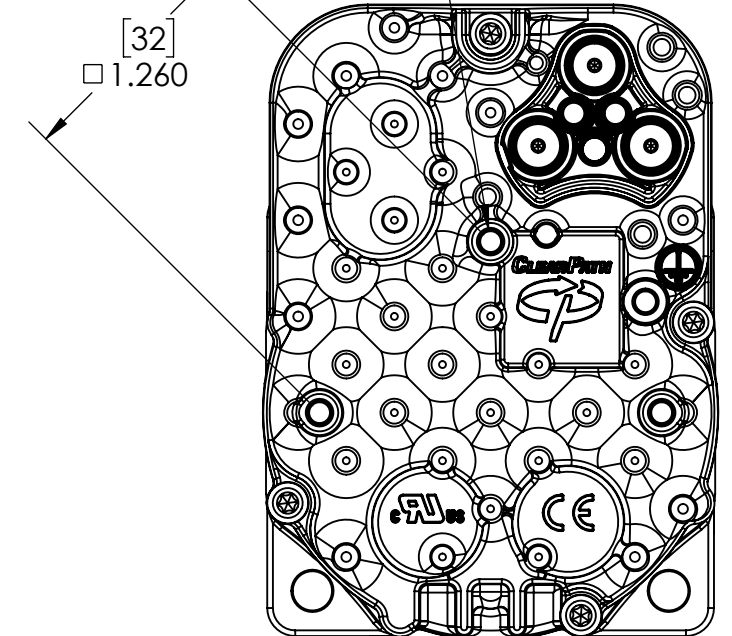
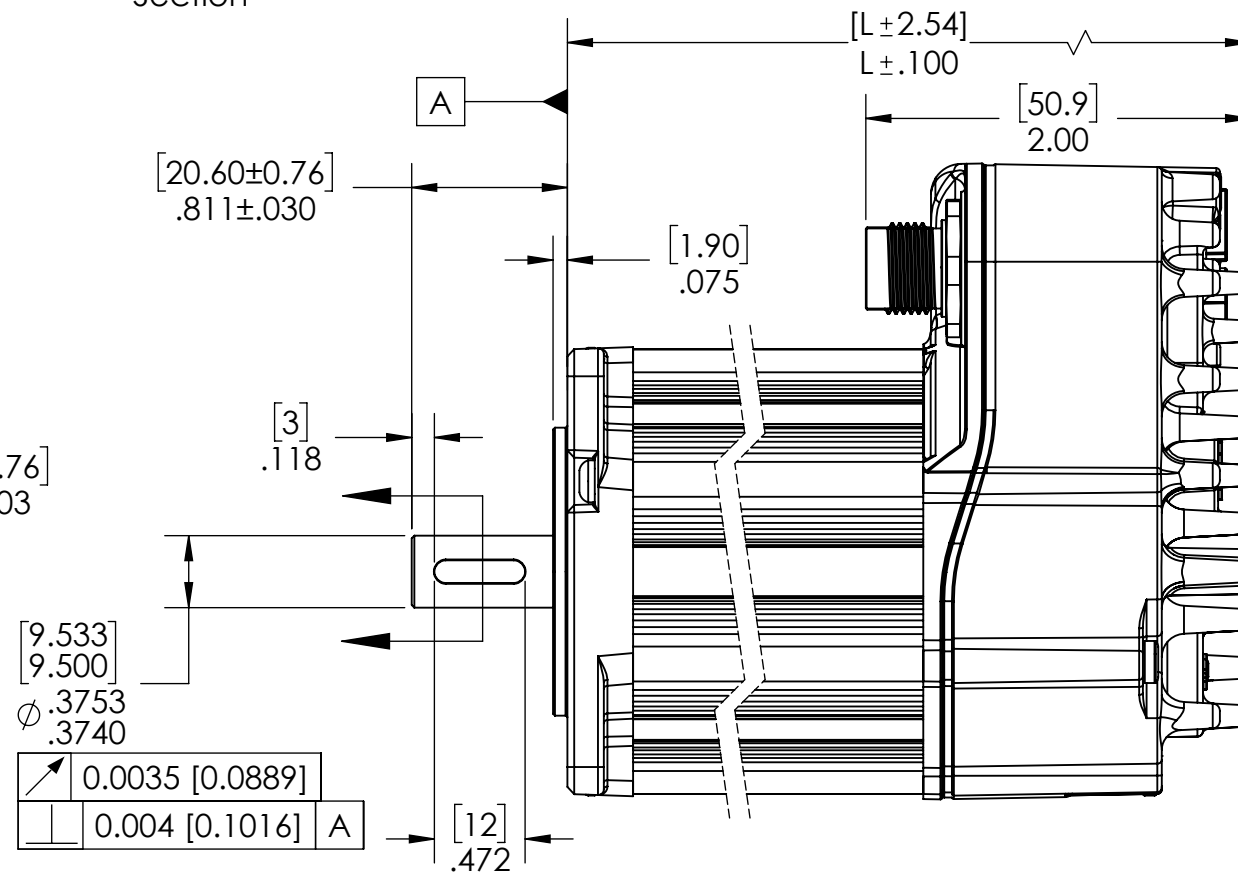
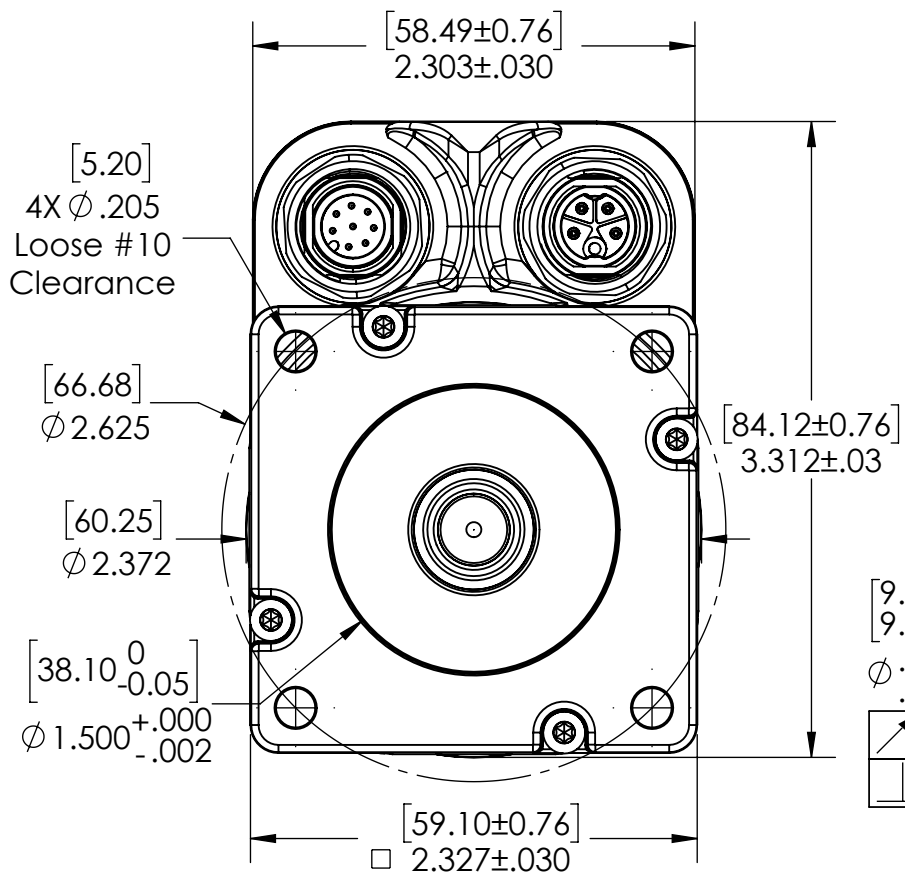
Model Number	L
CPM-____-231-_-_-	3.591 [91.21]
CPM-____-232-_-_-	4.339 [110.21]
CPM-____-233-_-_-	5.087 [129.21]
CPM-____-234-_-_-	5.835 [148.21]



Optional 1/4" Full Round Shaft (No keyway)
Available for 231 and 232 Models



[3.17]
 3X ϕ .125
 For #6 or M3.5
 Thread-Cutters
 For Mounting 40mm Fan

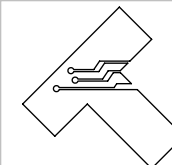


Teknic, Incorporated

Victor, NY 14564 USA

This document and related electronic files are the sole property of Teknic, Incorporated and contain proprietary information.

Third-Angle Projection



Additional documentation including product specifications, up-to-date compliance information, and manuals can be downloaded from Teknic's website.

Visit <https://www.teknic.com/> to access that documentation.

DWG. NO./REV

D1229/B

TITLE: 23xx ClearPath IP66K/IP67 Motor Family

1

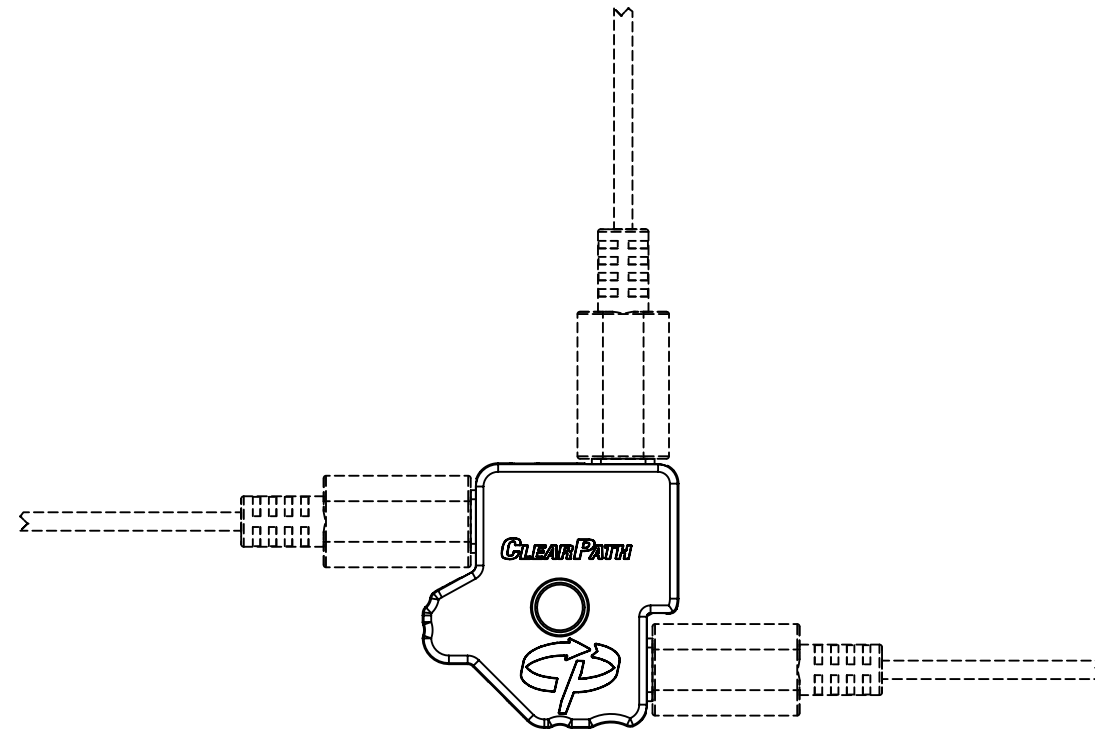
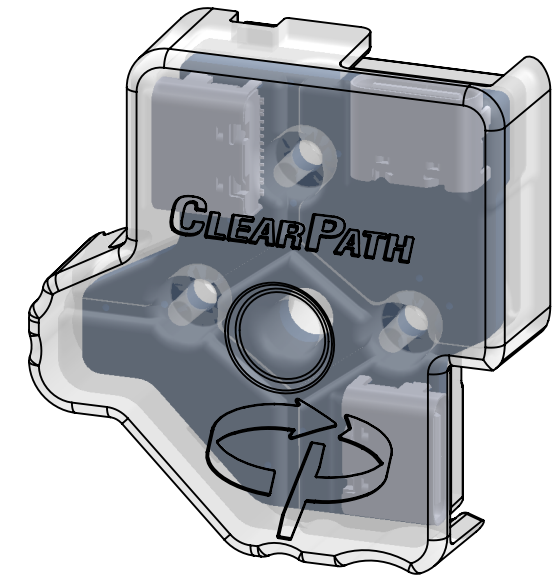
of 3 Sheets

USB-IR Converter

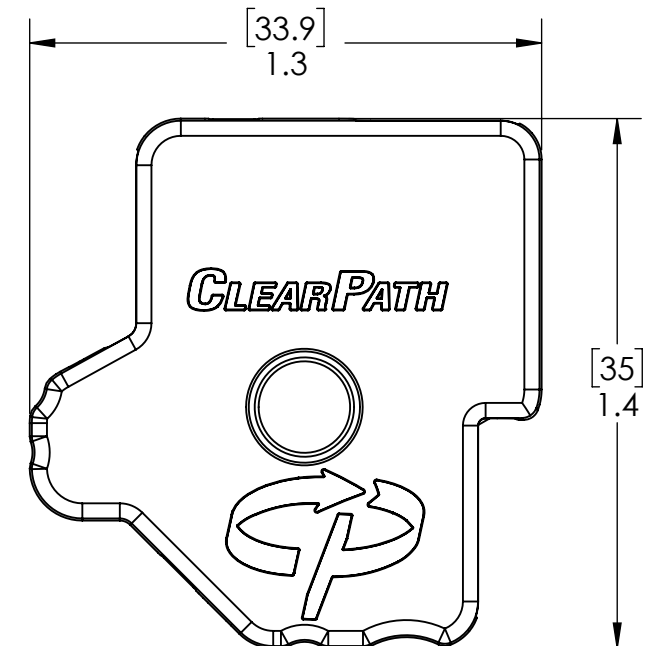
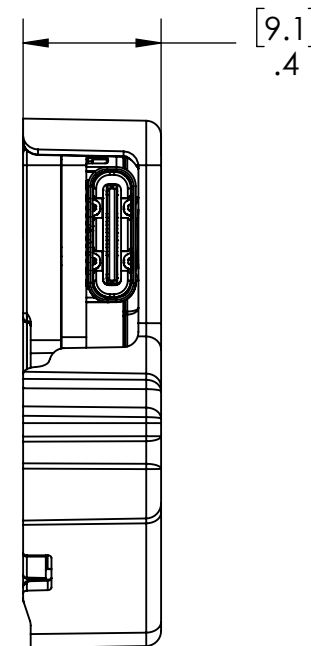
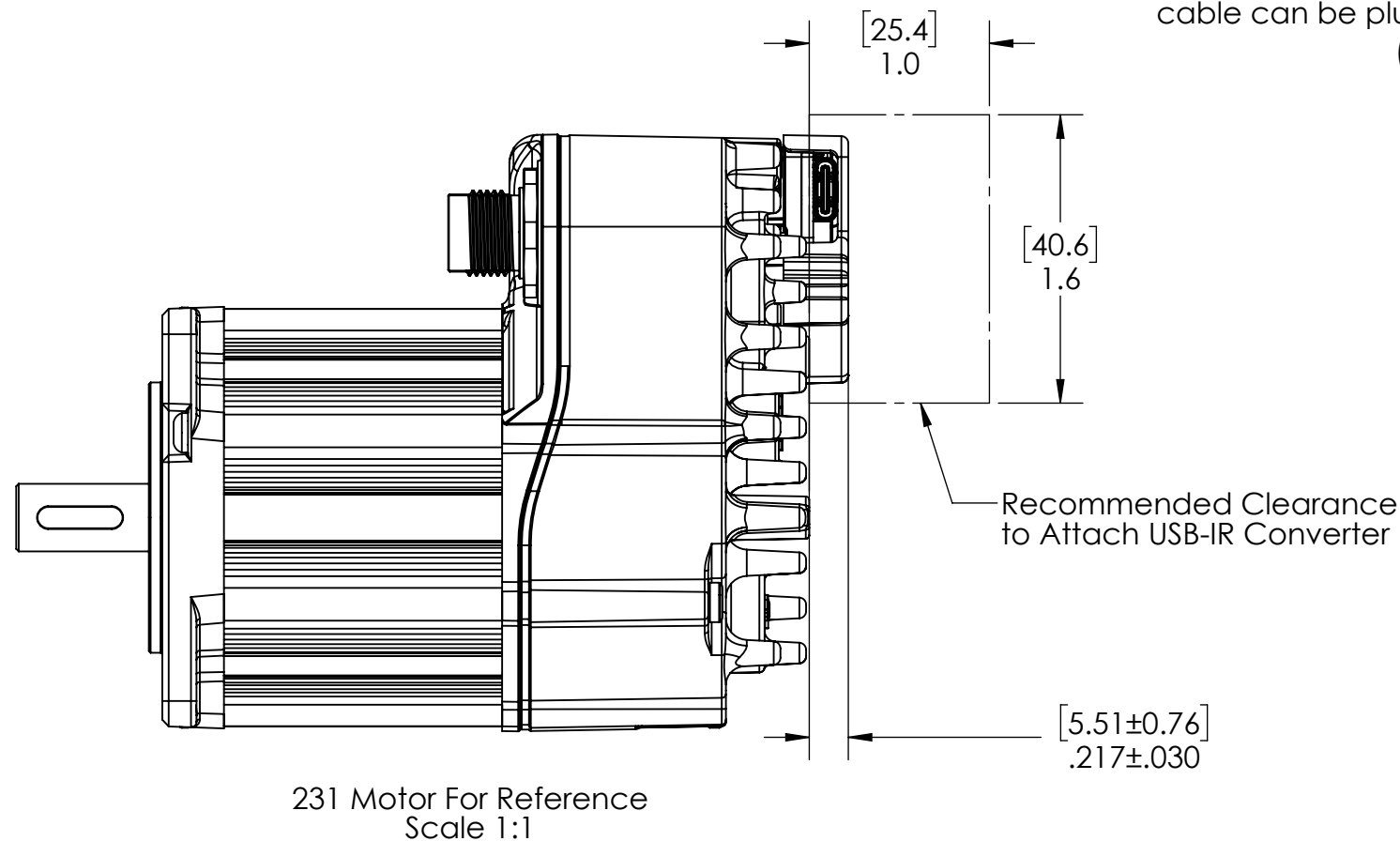
P/N: CPMS-USB-IR

All dimensions are in inch [mm] unless otherwise noted.
Sheet Scale 2:1

Unless otherwise specified, untoleranced dimensions default to:
X.X: ± 0.020" [.5mm]
X.XX: ± 0.010" [.25mm]

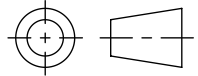


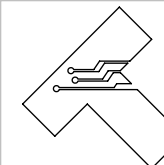
To allow easy connection in multiple orientations, a USB-C cable can be plugged into any one of three locations.
(Cables not Included)
Scale 1:1



Teknic, Incorporated
Victor, NY 14564 USA

This document and related electronic files are the sole property of Teknic, Incorporated and contain proprietary information.


Third-Angle Projection



Additional documentation including product specifications, up-to-date compliance information, and manuals can be downloaded from Teknic's website.
Visit <https://www.teknic.com/> to access that documentation.

DWG. NO./REV
D1229/B

TITLE: 23xx ClearPath IP66K/IP67 Motor Family

2 of 3
Sheets

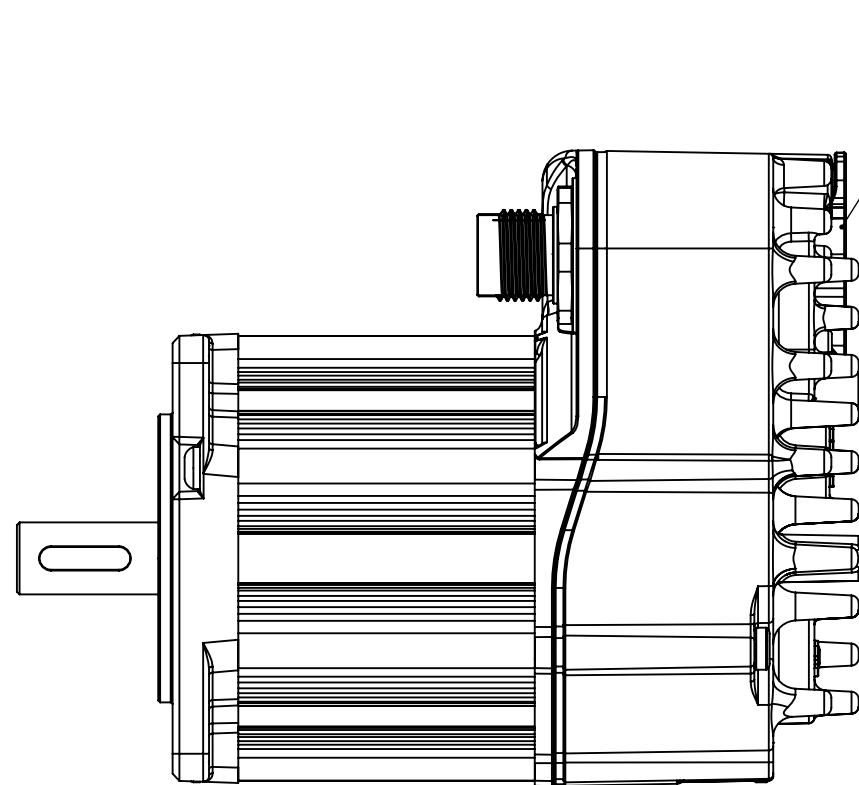
USB-IR Port Cover

P/N: CPM-COVER-USB-5PC

Package of five (5) covers.

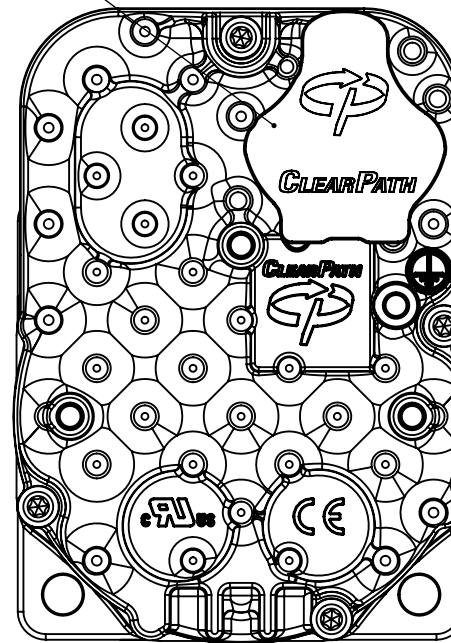
All dimensions are in mm [inch] unless otherwise noted.
Sheet Scale 2:1

Unless otherwise specified, untoleranced dimensions default to:
X.X: ± 0.020" [.5mm]
X.XX: ± 0.010" [.25mm]

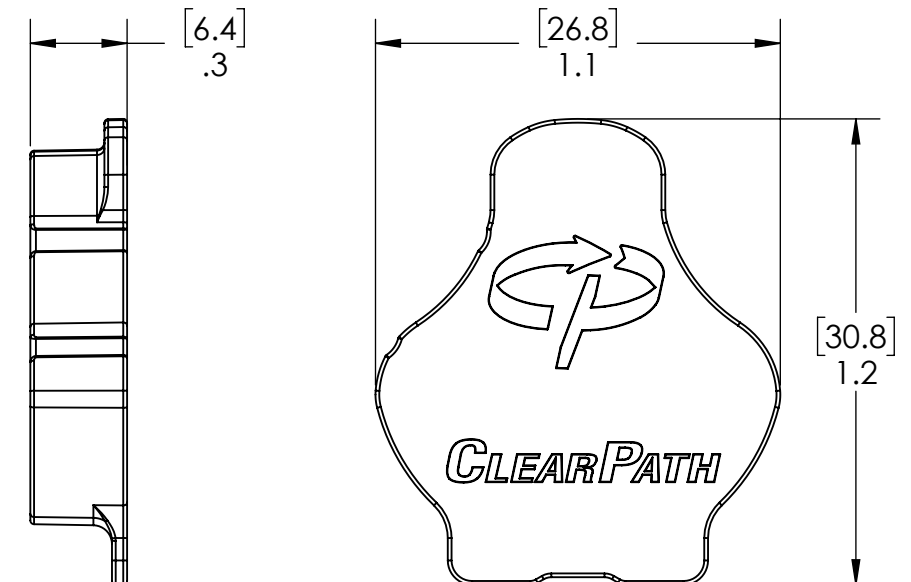


231 Motor For Reference
Scale 1:1

Cover Mounting
Location



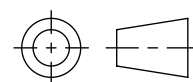
231 Motor For Reference
Scale 1:1



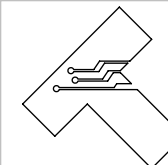
Teknic, Incorporated

Victor, NY 14564 USA

This document and related electronic files are the sole property of Teknic, Incorporated and contain proprietary information.



Third-Angle Projection



Additional documentation including product specifications, up-to-date compliance information, and manuals can be downloaded from Teknic's website.

Visit <https://www.teknic.com/> to access that documentation.

DWG. NO./REV

D1229/B

TITLE: 23xx ClearPath IP66K/IP67 Motor Family

3

of 3
Sheets